

Panels


Jacks


Cables


Jacks


Shutters


Faceplates & Blanks


M2000 Series Flat Modular Patch Panel Unloaded

24 Port 1U
Part Code: **810976**


M2000 Series Angled Modular Patch Panel Unloaded

24 Port 1U
Part Code: **810888**


FlexiMAX Modular Unloaded Patch Panel

24 Port 1U
Part Code: **810974**

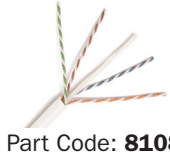
GigaSPEED X10D Cat6A Jack Unshielded

Part Code: **810429**


GigaSPEED X10D Cat6A Jack Unshielded

Part Code: **810430**


GigaSPEED X10D Cat6A Jack Unshielded

ECO packaging
Part Code: **833494**


GigaSPEED X10D 3091B Cat6A U/UTP Cable 1000FT

Part Code: **810428** Dca

GigaSPEED X10D 3091B Cat6A U/UTP Cable 1000FT

Part Code: **819809** Cca

GigaSPEED X10D 3091B Cat6A U/UTP Cable 1000FT

Part Code: **810868** Cca

GigaSPEED X10D Cat6A Jack Unshielded

Part Code: **810429**

GigaSPEED X10D Cat6A Jack Unshielded

Part Code: **810430**

GigaSPEED X10D Cat6A Jack Unshielded

ECO packaging
Part Code: **833493**

LF80 LJ6C Shutter Flat

Part Code: **810432**

LF80 LJ6C Shutter Angled


Part Code: **810433**
*also available in black


LF81 Euro Shutter Flat


Part Code: **822686**

LF81 Euro Shutter Angled

Part Code: **822276**


Faceplate Single Gang 2x LJ6C Flat

Part Code: **810436**

Faceplate Double Gang 4x LJ6C Flat

Part Code: **810437**

LF00 LJ6C Blanking Plate

Part Code: **810435**

Patch Leads

Standard Patch Leads

	GigaSPEED X10D Cat6A U/UTP Unbooted Solid 3ft Part Code: 810884	GigaSPEED X10D Cat6A U/UTP Unbooted Solid 4ft Part Code: 811208	GigaSPEED X10D Cat6A U/UTP Unbooted Solid 5ft Part Code: 810422	GigaSPEED X10D Cat6A U/UTP Unbooted Solid 7ft Part Code: 810423	GigaSPEED X10D Cat6A U/UTP Unbooted Solid 9ft Part Code: 810885
--	--	--	--	--	--

Slim Patch Leads

MiNo6A Cat6A U/UTP Patch Lead 2Mtr Part Code: 820815	MiNo6A Cat6A U/UTP Patch Lead 3Mtr Part Code: 820816	MiNo6A Cat6A U/UTP Patch Lead 5Mtr Part Code: 820817
---	---	---