

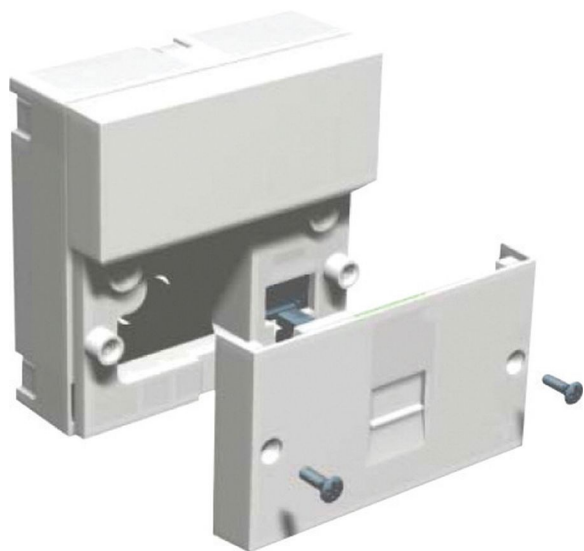
Technical information

Features:

- ◆ Single line, industry standard network termination units
- ◆ Using a removable lower cover the customer's extension wiring can easily be isolated from the telephone network, facilitating fault location
- ◆ Subscriber wiring terminated on IDC terminals
- ◆ Suitable for surface or flush mounting
- ◆ Fitted with ring capacitor and resistor
- ◆ NTE5A has screw terminals for PSTN wires
- ◆ CTE5A has IDC terminals for PSTN wires
- ◆ NTE5B has screw terminals for PSTN wires and no subscriber line jack socket

Materials

Faceplate and Back Box	ABS
Dimensions	86mm x 86mm x 36mm



NTE5A/CTE5A



NTE5B

Part Numbers

Item	Description	Type	PSTN Termination	Colour
771155	Network Termination Unit	NTE5A	Screw	White
771157	Network Termination Unit	CTE5A	IDC	White
771156	Network Termination Unit	NTE5B	Screw	White