

19" Set & Stack Wall Mounting Brackets



- ▶ Functional
- ▶ Decorative
- ▶ Modular
- ▶ Economical

Set brackets & Stack

**EASY TO CARRY - EASY TO SET
EASY TO STACK**



19" Set & Stack Wall Mounting Brackets

LANDE 19" wall mounting Set & Stack provides an aesthetically pleasing, functional, decorative and economic solution for wall mount equipment installations. The Set & Stack wall mounted bracket can be used in a wide range of installations where a limited "U" height is available and saving floor space is required. The Set & Stack feature a modular, sturdy and compact design. With a atpack-multi combination and configuration option that provides an ideal cost effective option for all installers.

FOR

- Defence & Aerospace
- IT & Networking
- Education
- Government
- Hotels & Leisure
- Oil and Gas

IN

- Audio-Video Solutions
- Broadcasting Solutions
- Security System Applications
- IT, Network and Cabling Technology Applications
- And Many Other Fields of Equipment Mounting

Features

- High quality steel construction
- Cost effective and economical solutions
- Adjustable depth
- 19" standard rack mount
- Can be stacked to provide more U height 2U, 3U, 4U, 6U or 8U rack mount 2U, 3U, 4U, 6U or 8U rack mount
- Available in RAL 7035 Light Grey or RAL 9005 Black

Standards

- *ISO 900
- *EN 61587-1 Mechanical Structures For Electronic Equipment
 - Tests For IEC 60917 And IEC 60297
- * Climatic and Environment: EN 61587-1/4.2, IEC60068-2-1, IEC60068-2-2, IEC60068-2-30,
- * Flammability: EN61587-1/6.3

Compliances

- UL and cUL
- Load Carrying Capacity:
10 kg / 22 lbs per U
- Painting: RAL 7035 / RAL 9005



19" Set & Stack Wall Mounting Brackets

HOW TO SET YOUR BRACKET!

Open the transport box and remove your Set & Stack



1



2



3



4

Unfold the bracket



5



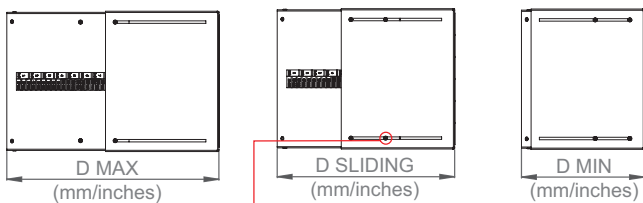
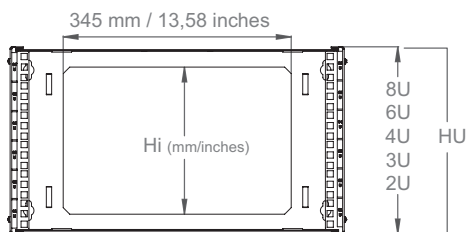
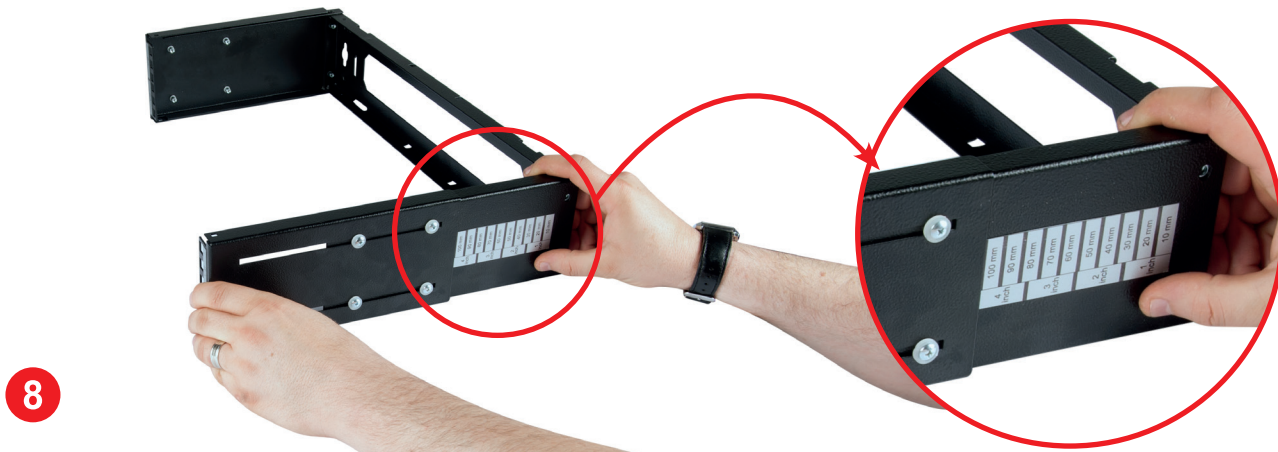
19" Set & Stack Wall Mounting Brackets

HOW TO SET YOUR BRACKET!

Remove the plastic transport handle.



Adjust the depth of the bracket up to 100 mm (4 inch).



* To set D MAX one of the screw has to be taken off- which is stopping the sliding function at D SLIDING depth.

H U	H (mm/inches)	Hi (mm/inches)	D Max (mm/inches)	D Sliding (mm/inches)	D Min (mm/inches)
8U	372 14,64	312 12,28	430 16,92	360 14,17	250 9,84
6U	284 11,18	223 8,77	430 16,92	360 14,17	250 9,84
4U	195 7,67	134 5,27	430 16,92	360 14,17	250 9,84
3U	150 5,90	90 3,54	430 16,92	360 14,17	250 9,84
2U	106 4,17	45 1,77	430 16,92	360 14,17	250 9,84

19" Set & Stack Wall Mounting Brackets

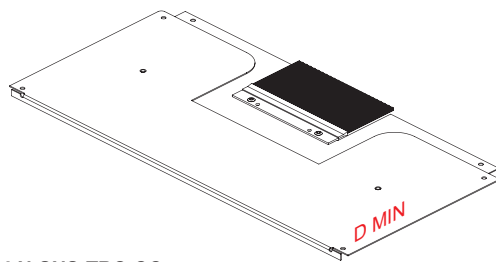
OPTIONAL TOP AND BOTTOMS ARE AVAILABLE
See below for fitting details



1



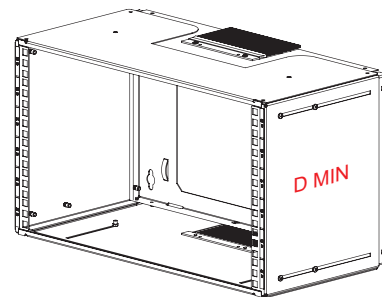
2



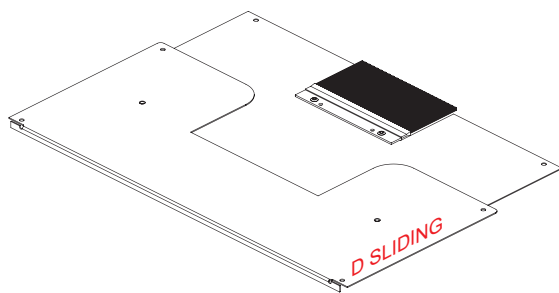
D MIN

LN-SNS-TBC-CC

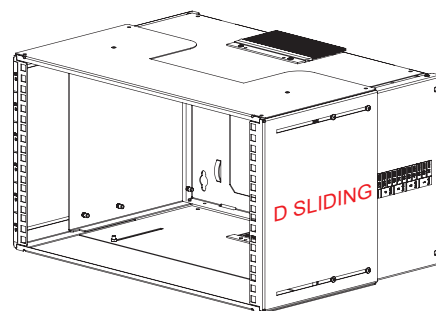
Set & Stack top or bottom closing panel -sliding- with brushed cable entry
** CC= Colour Code, LG Light Grey RAL 7035, BL Black RAL 9005,
please confirm colour option when placing order.



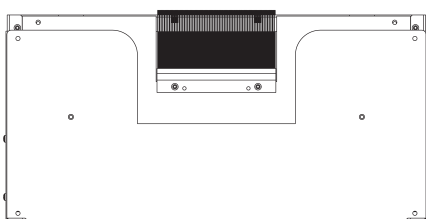
D MIN



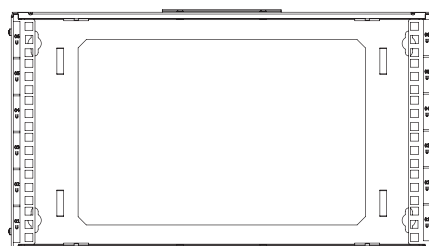
D SLIDING



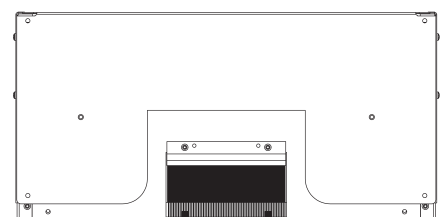
D SLIDING



Top view



Front view



Bottom view

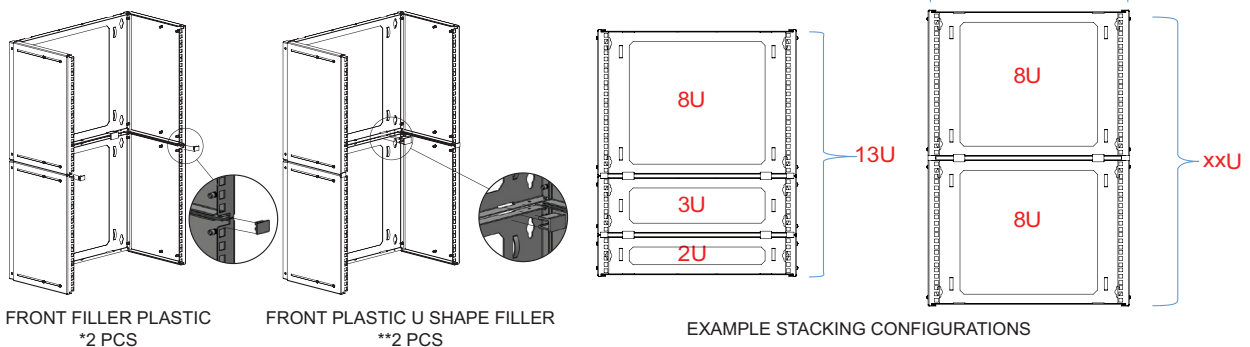
19" Set & Stack Wall Mounting Brackets

HOW TO STACK YOUR BRACKET!

Variable U heights can be achieved with the Set & Stack using the stacking feature. The product range consists of 2U, 3U, 4U, 6U and 8U brackets which allows a mix and match of U heights providing maximum flexibility.



Stack bracket to your own need U height



* Front plastic filler -2 pcs included in the delivery. This is used to fill the gap between two stacked brackets at the front 19" rail location.

** Front plastic U shape filler -2 pcs included in the delivery. This is used to help align and fix two stacked brackets.

19" Set & Stack Wall Mounting Brackets

Part Numbers and Logistics Details

Part Number	Product Description	Individual Product Packing Dimensions (mm/inch)						Unit Weight (kg/lbs)		Transport Box Packing Dimensions (mm/inch) 1 box consist of 5 pcs						Transport Box Weight (kg/lbs)	
		W		D		H				W		D		H			
		mm	inch	mm	inch	mm	inch	kg	lbs	mm	inch	mm	inch	mm	inch	kg	lbs
LN-SNS-02U5225-CC	Set&Stack Bracket 19" 2U D250~430mm adjustable depth- foldable	530	20,86	115	4,52	40	1,57	2,1	4,62	555	21,85	140	5,51	220	8,66	11,6	25,57
LN-SNS-03U5225-CC	Set&Stack Bracket 19" 3U D250~430mm adjustable depth- foldable			155	6,10			2,8	6,17			190	7,48			14,8	32,62
LN-SNS-04U5225-CC	Set&Stack Bracket 19" 4U D250~430mm adjustable depth- foldable			205	8,07			3,5	7,71			235	9,25			18,2	40,12
LN-SNS-06U5225-CC	Set&Stack Bracket 19" 6U D250~430mm adjustable depth- foldable			295	11,61			4,8	10,58			320	12,59			24,6	54,23
LN-SNS-08U5225-CC	Set&Stack Bracket 19" 8U D250~430mm adjustable depth- foldable			380	14,96			6	13,22			410	16,14			31	68,34

** CC= Colour Code, LG Light Grey RAL 7035, BL Black RAL 9005, please dene while preparing orders

Accessory / Top or Bottom Closing Panel

Part Number	Product Description	Individual Product Packing Dimensions (mm/inch)						Unit Weight (kg/lbs)		Transport Box Packing Dimensions (mm/inch) 1 box consist of 5 pcs						Transport Box Weight (kg/lbs)	
		W		D		H				W		D		H			
		mm	inch	mm	inch	mm	inch	kg	lbs	mm	inch	mm	inch	mm	inch	kg	lbs
LN-SNS-TBC-CC	Set&Stack Bracket top or bottom closing panel -sliding- with brushed cable entry	515	20,27	255	10,03	30	1,18	1,8	3,96	530	20,86	190	7,48	270	10,62	11	24,25

** CC= Colour Code, LG Light Grey RAL 7035, BL Black RAL 9005, please dene while preparing orders

Ordering Information;

* The Set & Stack Brackets product ise delivered in a transport box which consists of 5 pcs any ordered quantity of transport boxes are welcome.

** The colour options are RAL 7035 Light Grey and RAL 9005 Black, one transport box can consist of one colour range only.



Transport Box-consist of 5 brackets



Individual product packing with handle





CONTACT DETAILS

Headquarters

Address:

Merve Mah. Gazi Cad. No: 17 **Phone:** +90 216 312 26 53
Sancaktepe - İstanbul / TURKEY **Fax** : +90 216 312 09 09

Factory

Address:

20. Cadde No: 14 Eskişehir **Phone:** +90 222 236 24 66 pbx
Organize San. Bölğ. 26110 **Fax** : +90 222 236 13 53
Eskişehir / TURKEY

www.lande.com.tr | sales@lande.com.tr

