



Wall Mountable Fiber Endclosure including 2 SC/APC adapters and 2 900µ pigtails, feeder cable can be stored up to 50m depending on cable diameter, cable cover not included

Product Classification

Regional Availability	EMEA
Portfolio	CommScope®
Product Type	Fiber wall box
Product Series	WMFE

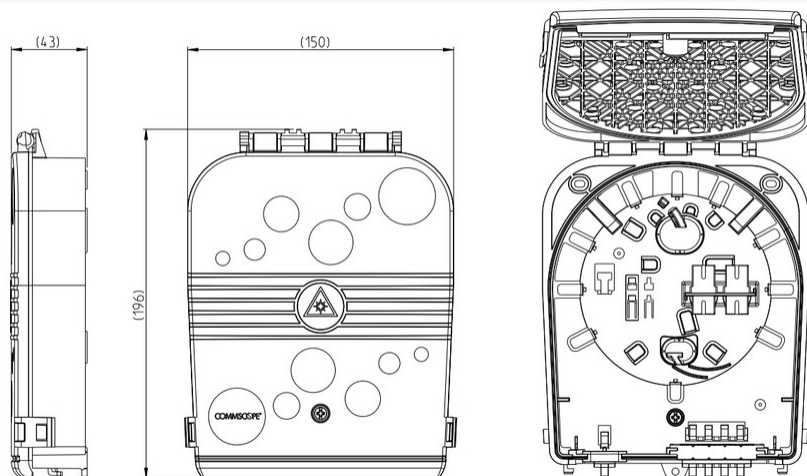
General Specifications

Adapter Ports, quantity	
Adapters, quantity	2
Cable Entry Location	Bottom
Color	Light Gray (RAL 7035)
Mounting	Wall mount
Patch Cord Routing	Downward
Patching Capacity, maximum	4
Splicing Capacity, maximum	4
Splicing Type	SMOUV

Dimensions

Height	196 mm 7.717 in
Height, with cover	mm 11.063 in
Width	154 mm 6.063 in
Depth	43 mm 1.693 in
Outer Cable Diameter	10 mm 0.394 in

Dimension Drawing



Environmental Specifications

Flammability Rating	UL 94 V-0
UV Resistance	UV stabilized

Packaging and Weights

Height, packed	44 mm 1.732 in
Width, packed	156 mm 6.142 in
Depth, packed	286 mm 11.26 in
Packaging quantity	24
Packaging Type	Carton
Weight, gross	0.513 kg 1.131 lb