



Wall Mountable Fiber Endclosure to be used with max 2 SC or LC(duplex) adapters, feeder cable can be stored up to 50m depending cable diameter, possibility to splice; cable cover included

## Product Classification

<b>Regional Availability</b>	EMEA
<b>Portfolio</b>	CommScope®
<b>Product Type</b>	Fiber wall box
<b>Product Series</b>	WMFE

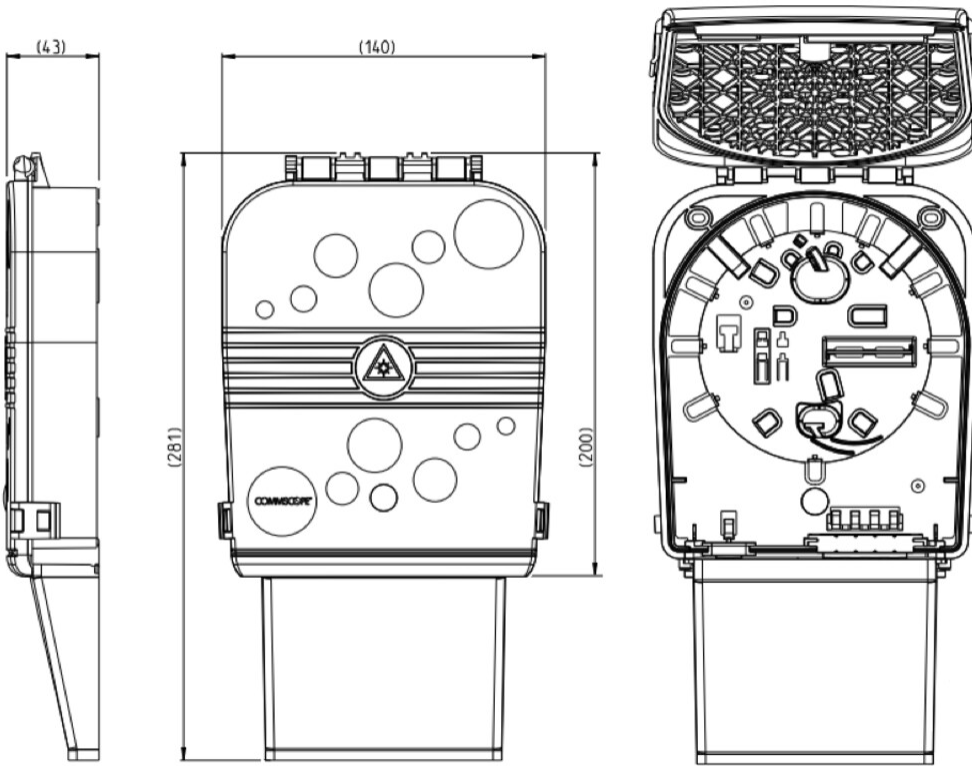
## General Specifications

<b>Adapter Ports, quantity</b>	2
<b>Cable Entry Location</b>	Bottom
<b>Color</b>	Light Gray (RAL 7035)
<b>Mounting</b>	Wall mount
<b>Patch Cord Routing</b>	Downward
<b>Patching Capacity, maximum</b>	4
<b>Splicing Capacity, maximum</b>	4
<b>Splicing Type</b>	SMOUV

## Dimensions

<b>Height</b>	196 mm   7.717 in
<b>Height, with cover</b>	281 mm   11.063 in
<b>Width</b>	154 mm   6.063 in
<b>Depth</b>	43 mm   1.693 in
<b>Outer Cable Diameter</b>	10 mm   0.394 in

## Dimension Drawing



## Environmental Specifications

<b>Flammability Rating</b>	UL 94 V-0
<b>UV Resistance</b>	UV stabilized

## Packaging and Weights

<b>Height, packed</b>	44 mm   1.732 in
<b>Width, packed</b>	156 mm   6.142 in
<b>Depth, packed</b>	286 mm   11.26 in
<b>Packaging quantity</b>	24
<b>Packaging Type</b>	Carton
<b>Weight, gross</b>	0.513 kg   1.131 lb

## Regulatory Compliance/Certifications

<b>Agency</b>	<b>Classification</b>
CHINA-ROHS	Below maximum concentration value
REACH-SVHC	Compliant as per SVHC revision on <a href="http://www.commscope.com/ProductCompliance">www.commscope.com/ProductCompliance</a>

ROHS

Compliant

