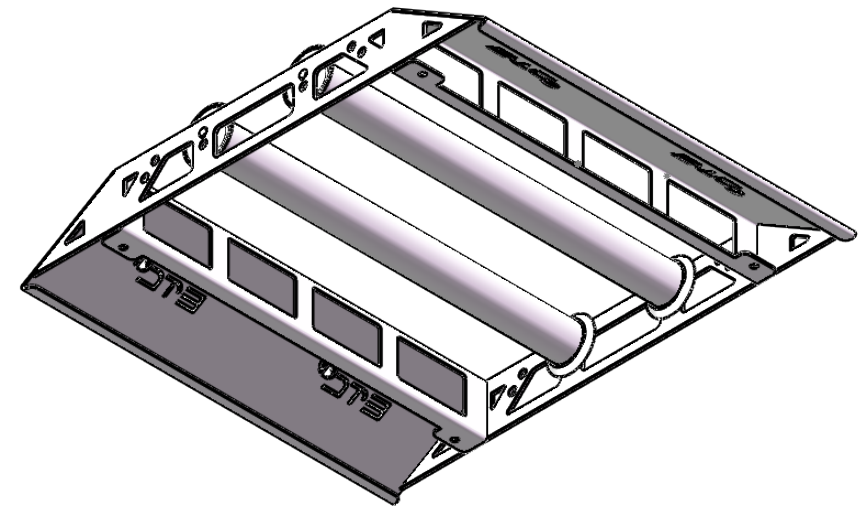
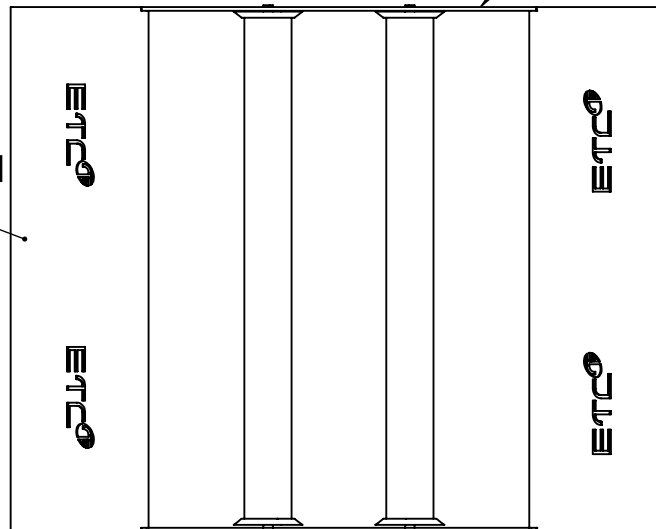

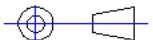


Side plate thickness 4MM

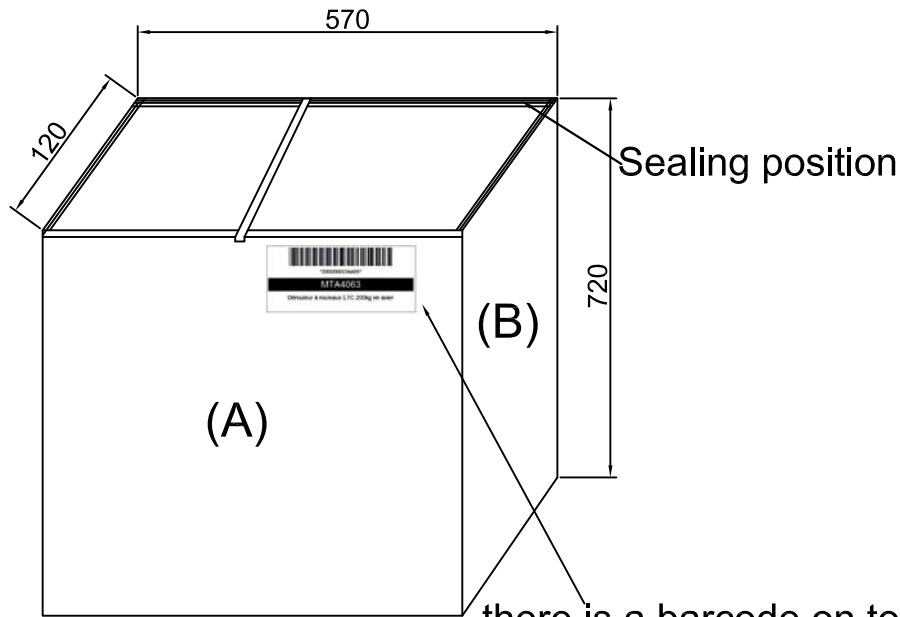
Plate thickness 2.5MM



- Technology requirement:
- 1.No visible scratches and bruises on the surface of the part
 - 2.Deburring burrs and rough edge
 - 3.The parts are densely organized and must not be cracked or lack of material.

		Euro TechnoCom				
DESCRIPTION:		MTA4063				
GENERAL TOLERANCE		CUSTOMER:		DATE: 2019-11-27		
X.	±1.0	CUS NO: MTA4063		DRAWING: ZHY		
.X	±0.3	PART NO:		CHECKED: Ford		
.XX	±0.05	SY NO:		APPROVED: Dong		
THIRD ANGLE PROJECT		SCALE	SHEET	UNIT	REV	ECN NO
		NONE	1/1	MM	A/0	

OUT BOX:



(A)
FRONT MARK

Euro Techno Com
C/No.:

P/O No.:

Item No.: MTA4063

Dérouleur à rouleaux
ETC 200kg en acier

Q'TY. : 1 PCS

N.W. : 9.6 KGS

G.W. : 10.6 KGS

M: 57*12*72 CM

there is a barcode on top right corner
of front mark outside the carton



		Euro TechnoCom				
DESCRIPTION:		Package (MTA4063)				
GENERAL TOLERANCE		CUSTOMER:		DATE: 2019-11-27		
X.	±1.0	CUS NO: MTA4063		DRAWING: ZHY		
.X	±0.3	PART NO:		CHECKED: Ford		
.XX	±0.05	SY NO:		APPROVED: Dong		
THIRD ANGLE PROJECT		SCALE	SHEET	UNIT	REV	ECN NO
		NONE	1/1	MM	A/0	

1 pcs in 1 carton , 12 pcs 1 pallet,

②	Pallet size	L:1170 x W:770 x H:840 mm	1	PCS
①	Out box size	L:570 x W:120x H:720 mm	1	PCS
NO	DESCRIPTION	SPECIFICATION	Q'TY	UNIT

Specifications (Positive and Opposite)



MTA4063



bel

ETC EuroTechnoCom		Euro TechnoCom				
DESCRIPTION:		Package (MTA4063)				
GENERAL TOLERANCE		CUSTOMER:		DATE: 2019-11-27		
X.	±1.0	CUS NO: MTA4063		DRAWING: ZHY		
.X	±0.3	PART NO:		CHECKED: Ford		
.XX	±0.05	SY NO:		APPROVED: Dong		
THIRD ANGLE PROJECT		SCALE	SHEET	UNIT	REV	ECN NO
		NONE	1/1	MM	A/0	