

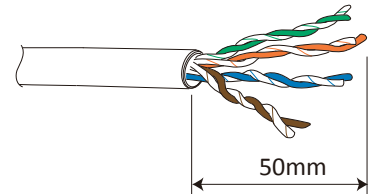
Termination Guide

Part Number - YMJBPO3124 / YMJBPO3125 /
YMJBPO3126 / YMJBPO3127 / YMJBPO3108

Cat5e/6 UTP Keystone Jack, RJ45, 180° Punch down 110/LSA, Solid Core, White/Black

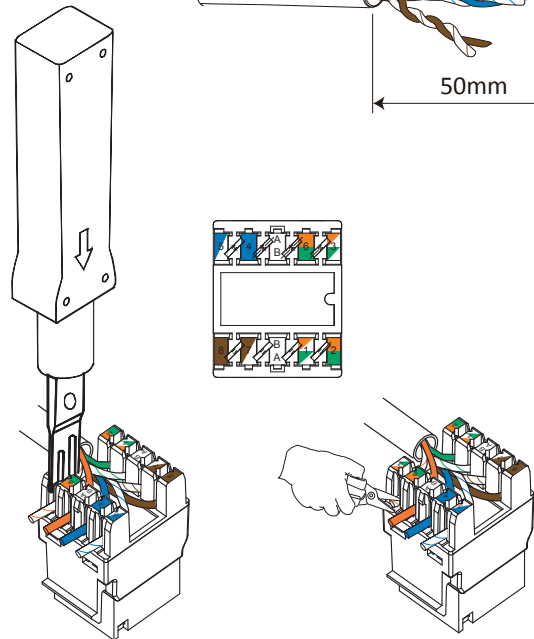
①

Strip off approx 50mm of the data cable outer jacket, then remove the pair separation spline from the cable if applicable. Follow the TIA568 A/B color scheme on the coloured IDC terminals, allocating the correct pairs to the 110/LSA IDC slots appropriately. Cable pair twist integrity must remain to the point of termination as much as possible.



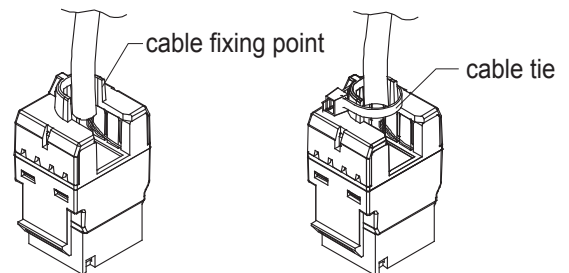
②

Place each pair into the correct IDC slot and punch down each pair using a suitable 110/LSA punch down tool. The termination should be completed in one smooth insertion action, trim off any excess wire if not using an automatic cut off tool. Please continue this process until all terminations are complete.



③

Push the IDC wire cap in place to protect the finished wire terminations. Use the supplied cable tie to fix the data cable to the cable support fixing point. Please take care to not over tighten the nylon cable ties when securing the cable to the keystone jack, as this will stress the cable reducing signal performance. You are now ready to fix the keystone jack into either a modular patch panel, or shuttered adaptor.



WIRING CONFIGURATIONS

JACK PIN DESIGNATIONS	TIA / EIA T568A	TIA / EIA T568B
	1	White/Green
2	Green	Orange
3	White/Orange	White/Green
6	Orange	Green
4	Blue	Blue
5	White/Blue	White/Blue
7	White/Brown	White/Brown
8	Brown	Brown

© PRYSMIAN GROUP 2020, All Rights Reserved

All sizes and values without tolerances are reference values. Specifications are for product as supplied by Prysmian: any modification or alteration afterwards of product may give different result.

The information contained within this document must not be copied, reprinted or reproduced in any form, either wholly or in part, without the written consent of Prysmian. The information is believed to be correct at the time of issue. Prysmian reserves the right to amend this specification without prior notice. This specification is not contractually valid unless specifically authorised by Prysmian.