

Category 6A F/FTP Shielded Cable - Cca

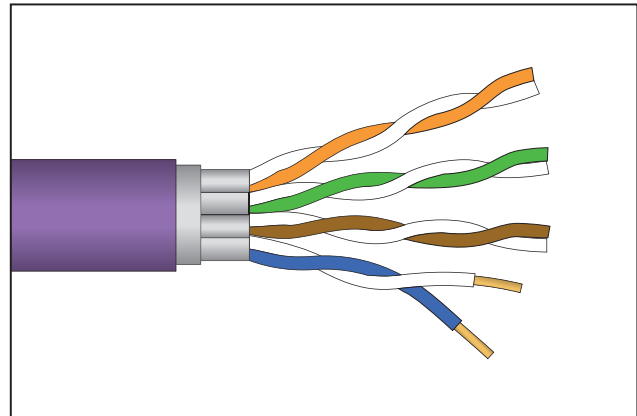
Bulk Copper Cable - CA199

Application/Product Description

HellermannTyton Category 6A cables are designed and tested to support Primary (Campus), Secondary (Riser) and Tertiary (Horizontal) applications for 10Base-T (Ethernet), 100Base-T(Fast Ethernet), 1000Base-T(Gigabit Ethernet), 10GBase-T(10-Gigabit Ethernet), PoE and PoE+.

When used with HellermannTyton Category 6A patch panels, outlets and patch leads the combined performance exceeds Category 6A/ Class EA link and channel requirements.

The cable is supplied in 500m lengths with 1 metre markings on the cable on a drum for easy installation.



CA199 - Category 6A F/FTP Shielded Cable - Cca

Technical Data

Characteristics	Specification
Pair Screen	Aluminium/Polyester Tape
Overall Screen	Aluminium/Polyester Tape
Fire Retardant	IEC 60332-3 Cat. C
Fame Retardant	IEC 60332-1
DC Loop Resistance	≤95Ω/km
Capacitance	Nom. 42nF/km
Characteristic Impedance (1-100MHz)	(100 ± 15)Ω
Nominal Velocity of Propagation	Approx. 82%
Coupling Attenuation at 30MHz	>70db
Max Installation Tension	80 N
Segregation Classification - EN50174-2	"C"

Applicable Standards

- EN50575:2014+A1:2016
- BS EN 50173
- ISO 11801
- ANSI/TIA/EIA 568
- IEC 61156-5
- BS EN 50288
- IEC 60332-1 & 60332-3
- IEC 60754-1 / EN 50267-2-1
- IEC 60754-2 / EN 50267-2-2
- IEC 61034-1/2 / EN 50268-1/2

CPR

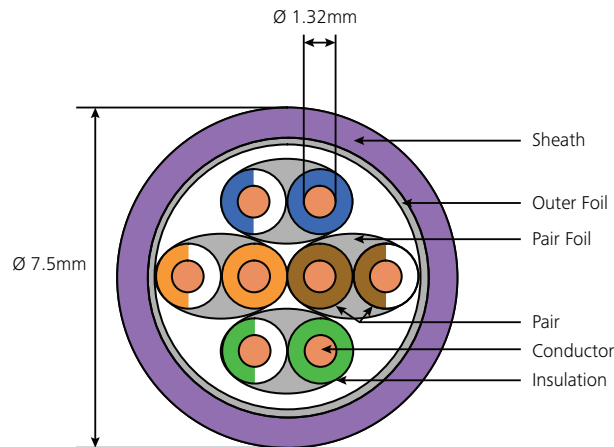
- Cca-S1a-d1-a1
- Certificate No.: HTCDDOP-CA199-
- Suitable for Cca, Dca and Eca specified inatallations

Performance Characteristics (Nominal)

Frequency (MHz)		4	250	500
Insertion Loss (dB/100m) Min.	Standard / Typical	3.8 / 3.6	34.3 / 31.9	45.3 / 41.8
NEXT (dB) Min.	Standard / Typical	75.0 / 100.0	59.3 / 91.4	54.8 / 86.9
PS-NEXT (dB) Min.	Standard / Typical	75.0 / 100.0	56.3 / 88.4	51.8 / 83.9
ACR-F (dB/100m) Min.	Standard / Typical	66.0 / 91.2	30.0 / 75.7	24.0 / 72.1
PS ACR-F (dB/100m) Min.	Standard / Typical	63.0 / 88.2	27.0 / 75.5	21.0 / 69.1
Return Loss (dB) Min.	Standard / Typical	23.0 / 28.0	17.3 / 22.3	17.3 / 22.3

*Typical values are for permanent link tests when using the complete HellermannTyton Data System.

Cable Construction



Product Performance	
Core	
Core Conductor	23 AWG Solid Copper Wire
Insulation	Polyethylene EN 50290-2-23
Diameter	1.32mm (nominal)
Twisting	2 cores to the pair
Pair Colour	Blue-White/Blue, Orange-White/Orange, Green-White/Green, Brown-White/Brown
Final Assembly	
Cable	4 pairs to the core
Sheath	LSFRZH EN 50290-2-27
Colour	Violet
Outer Diameter	7.5mm nominal
Mechanical and Environmental	
Temp. Installation	0°C to +50°C
Temp. Operation	-20°C to +70°C
Min. Bend Radius	
	During Installation: 8 x OD
	During Operation: 4 x OD
Approximate Weight	30kg (500m/Drum)