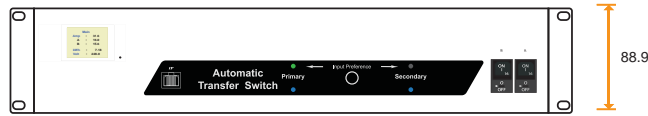
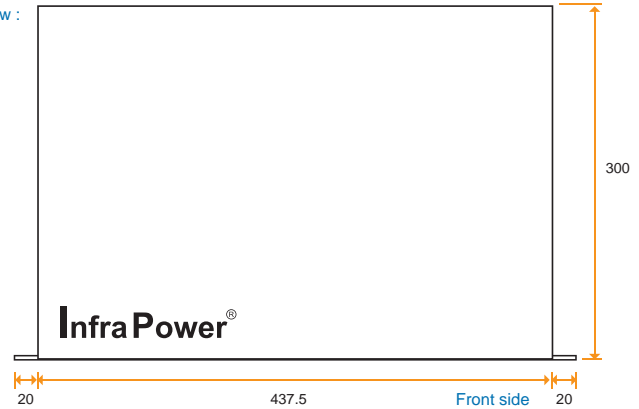


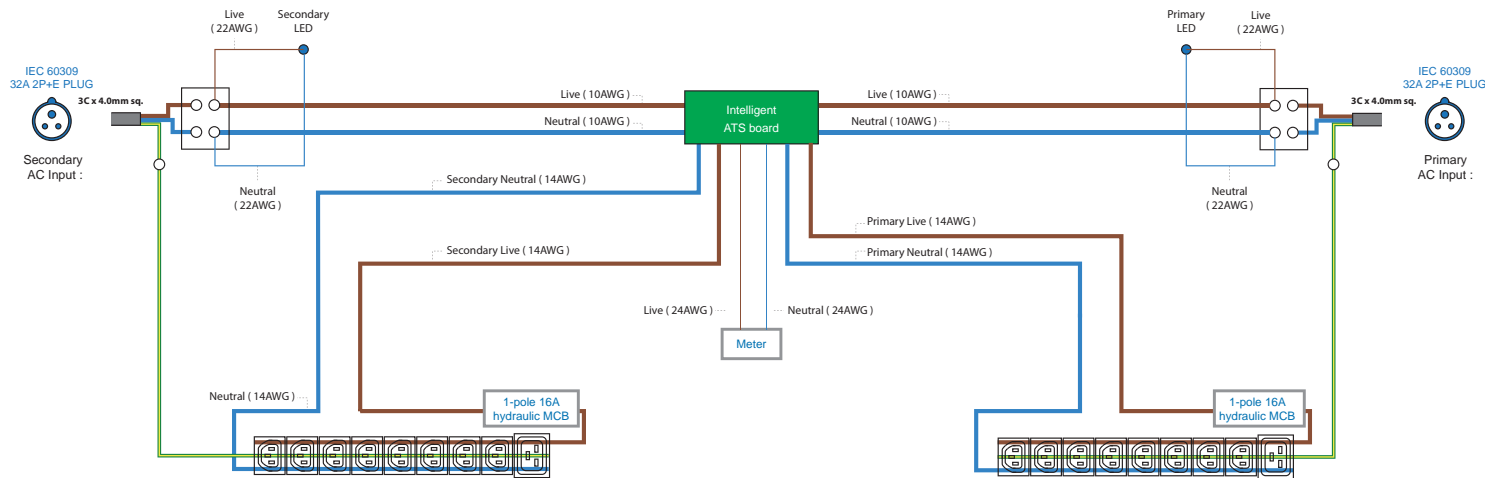
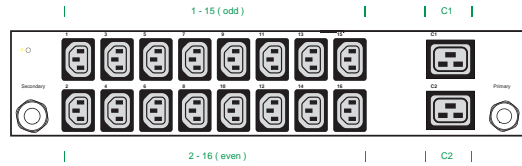
Front view :



Top View :



Rear view :



unit : mm

<b>Automatic transfer switch</b>	
Input Rating	: 32A, 230V
Outlet	: 10A Rated IEC320 C13 x 16 16A Rated IEC320 C19 x 2
Inlet	: 32A IEC60309 2P+E plug x 2
Cordset	: 3 meter 4.0mm sq. H05V V-F cordset x 2
Protection	: 16A single pole hydraulic MCB x 2
Circuit Details	: < <b>Circuit A</b> > Output 16A max. C13 #1-15 ( odd ) + C19 #C1 < <b>Circuit B</b> > Output 16A max. C13 #2-16 ( even ) + C19 #C2

<b>ATS Specification :</b>	
Nominal input voltage	: 230V
Acceptable input voltage	: ±10% nominal
Input frequency	: 50 / 60Hz
Transfer time	: 10 - 16ms typical
Electrical endurance	: 1 x 10 <sup>5</sup> operations
Power consumption	: Approx. 8VA

<b>Meter Features</b>	
Local Display	: 1.8" color LCD
Measurement	: Voltage ( V ), Current ( A ), energy ( kWh ) & power factor
Accuracy	: ±1% true RMS
IP Access	: via built-in IP dongle for network access
SNMP	: V2 / V3 version, via built-in IP dongle

EMC Compliance	: FCC & CE certified
Safety Compliance	: CE / LVD certified
Environment Compliance	: RoHS2 & REACH
Operating Temperature	: -5 to 60 °C
Storage Temperature	: -25 to 65 °C
Operating Altitude	: 0 to 2,000 m
Storage Altitude	: 0 to 15,000 m
Humidity	: 8 to 95% RH, non-condensing
Dimension	: 88.9 (H) x 300 (D) x 437.5 (L) mm
Material	: Steel
Color	: Black