

## CTTS - Cable Tie Fastening Tool

For Stainless Steel Cable Ties

**Material:**

- Main body - Aluminium.
- Blade: SK5 (HRC:60-65).
- Ratchet: Stainless Steel. 440C(HRC:57-61).
- Other metal parts: Carbon Steel.



**Colour:**

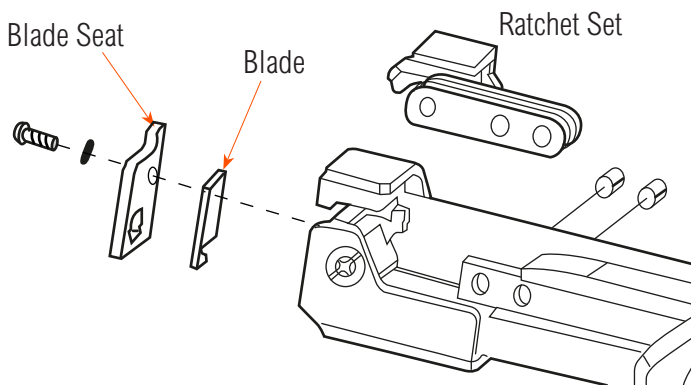
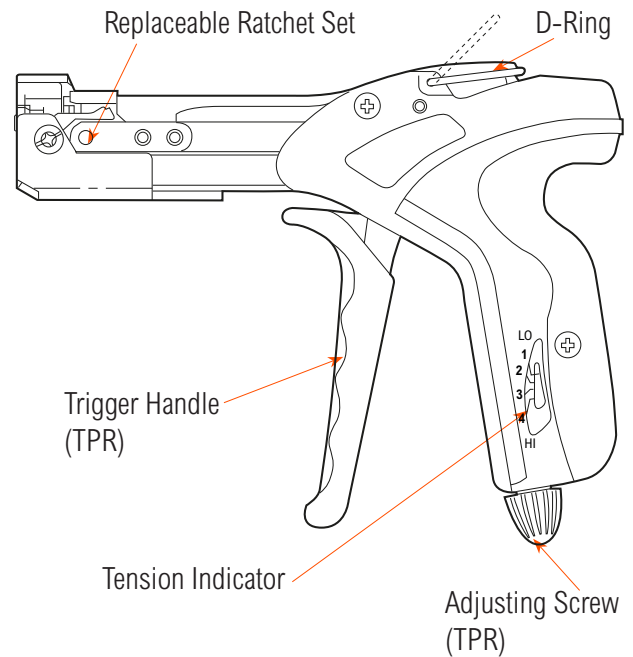
Light Grey.

**Features:**

- Dimensions: 178 x 140 x 29mm.
- Weight: 554g.

**Application:**

- For use with Stainless Steel cable ties of thickness upto 0.1" or .25mm and widths of Stainless Steel cable ties between 4.5-7.9mm.



Strength Level	Width (mm)	Tension Strength (kgf)
1	4.5	31.5
2	4.5	47.0
3	7.9	58.7
4	7.9	65.0

Item No.	Length (mm)	Width (mm)	Depth (mm)
CTTS	178	140	29