

IMPORTANT

Installer and users please note:

These instructions should be read carefully and left with the user of the product for future reference.

BEFORE USE

Inspect the product for any signs of damage. If the product is damaged, DO NOT use it, and contact your supplier immediately.

PRODUCT SAFETY

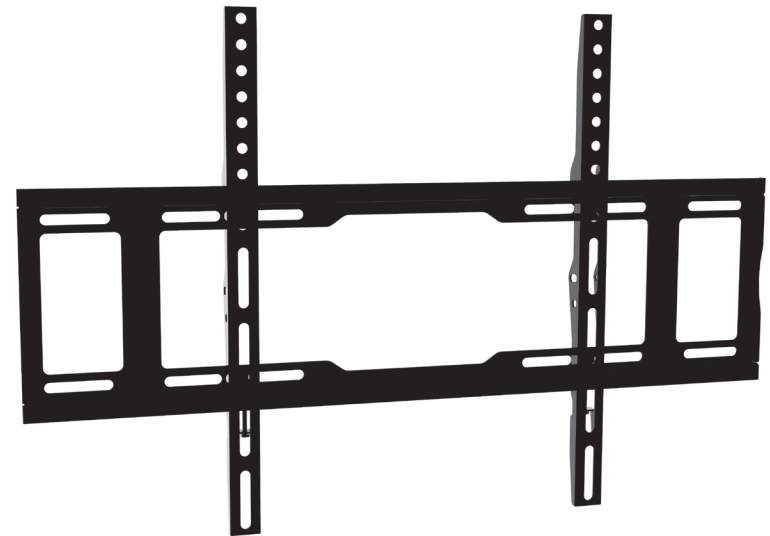
- Prior to the installation of this product, the installation instructions should be read and completely understood. The installation instructions must be read to prevent personal injury and property damage. Keep these installation instructions in an easily accessible location for future reference.
- CAUTION: Do not exceed maximum load capacity. Use with products exceeding the maximum load capacity may cause serious injury. See appliance instructions.
- Do not install on a structure that is prone to vibration, movement or chance of impact as this may result in damage to the display and/or damage to the stand.
- Do not place near a heater, fireplace, air conditioning, in direct sunlight or any other heat producing source as this may result in damage to the display and could increase the risk of fire.
- It is recommended that two people perform the installation. Injury and/or damage can result from dropping or mishandling the display.
- These installation instructions are an aid to installation and cannot cover all eventualities. If you have any concerns regarding the mounting of the bracket you should consult an expert.
- CAUTION: Before installation the mounting area should be checked that it is suitable for the weight of the bracket and screen and is free from pipes, electric cables or any other obstructions.

CONTACT DETAILS

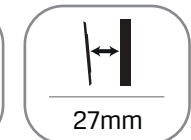
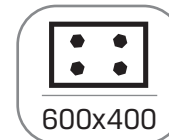
Ultima, Cardinal Way, Cardinal Distribution Park, Godmanchester, PE29 2XJ
 T: +44 (0)333 443 4430 E: sales@ultima-comms.com W: www.ultima-comms.com

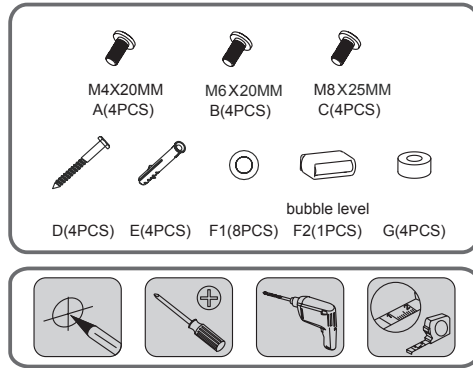
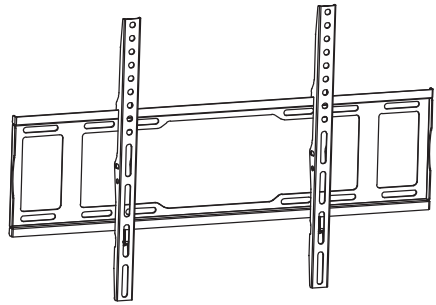
Installation Instructions

TV WALL BRACKET FIXED

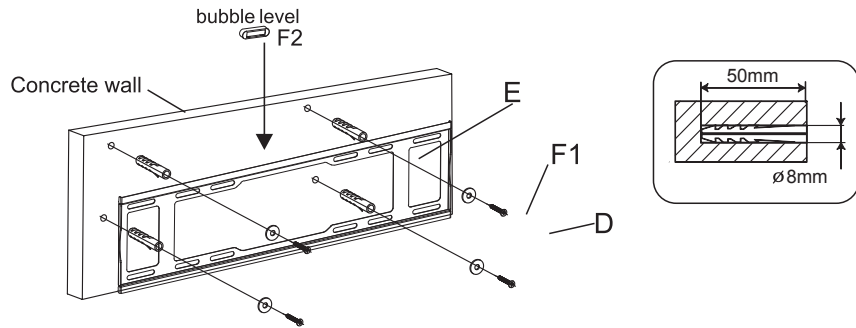


820933

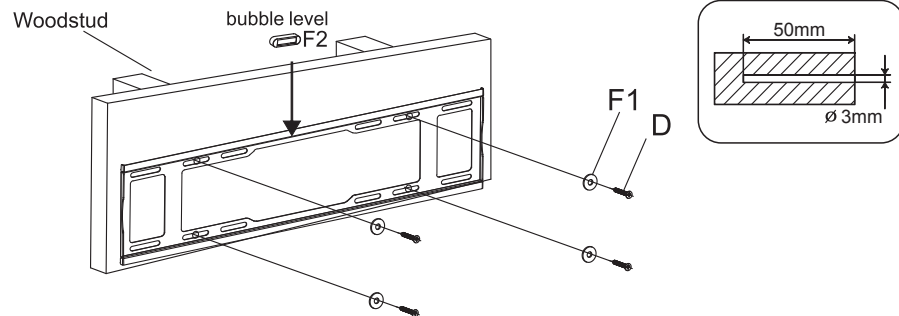




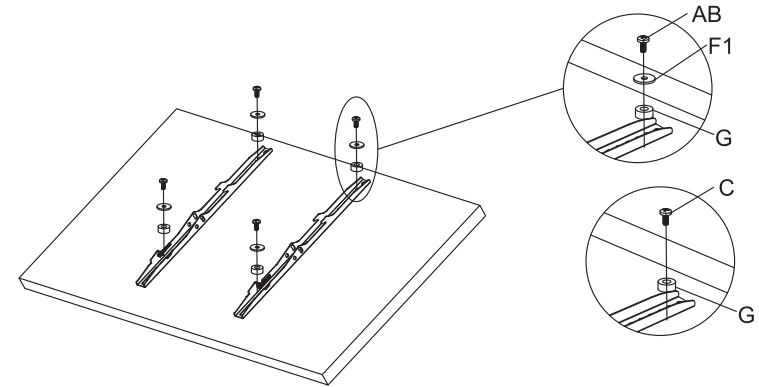
STEP1A Solid concrete mounting



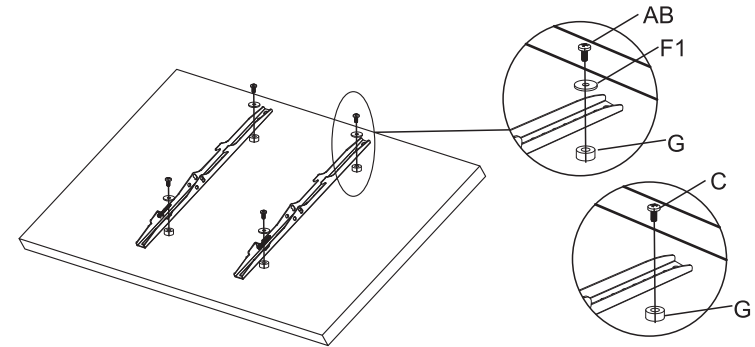
STEP1B Woodstud mounting



STEP2A Attach bracket to the screen



STEP2B For TVs with a curved back or obstruction



STEP3 Hang the TV onto the mounted bracket

