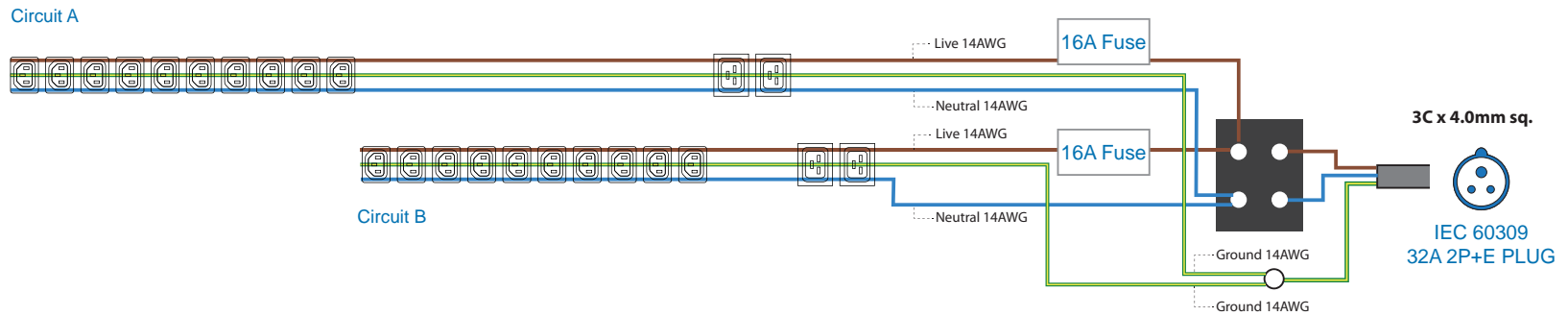
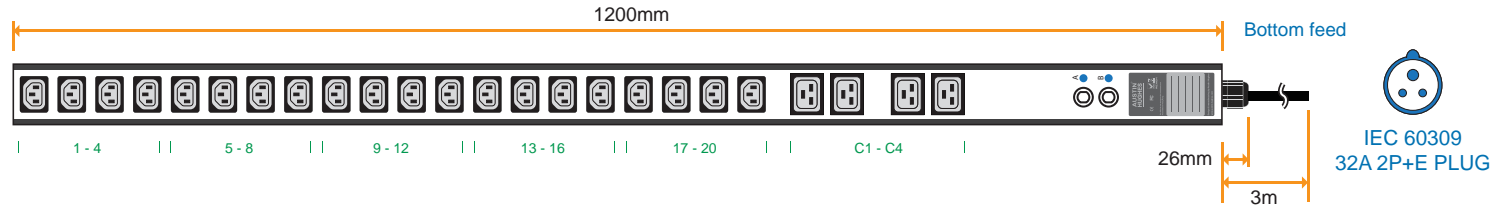


1-Phase 230V 32A Basic PDU drawing & specification

Model : V20C13/4C19-32A/F_EN/3B-1



Single phase basic PDU

Input Rating : 32A, 230V
 Outlet : 10A Rated IEC320 C13 x 20
 16A Rated IEC320 C19 x 4
 Inlet : 32A IEC60309 2P+E plug
 Cordset : 3 meter 4mm sq. H05V V-F cordset
 Protection : 16A resettable fuse x 2
 Circuit Details : < **Circuit A** > Output 16A max. C13 #1-10 + C19 #C1-C2
 < **Circuit B** > Output 16A max. C13 #11-20 + C19 #C3-C4

EMC Compliance	:	FCC & CE certified
Safety Compliance	:	CE / LVD certified
Environment Compliance	:	RoHS2 & REACH
Operating Temperature	:	-5 to 60 °C
Storage Temperature	:	-25 to 65 °C
Operating Altitude	:	0 to 2,000 m
Storage Altitude	:	0 to 15,000 m
Humidity	:	8 to 95% RH, non-condensing
Dimension	:	60 (W) x 60 (D) x 1200 (H) mm
Material	:	Extrusion
Color	:	Black