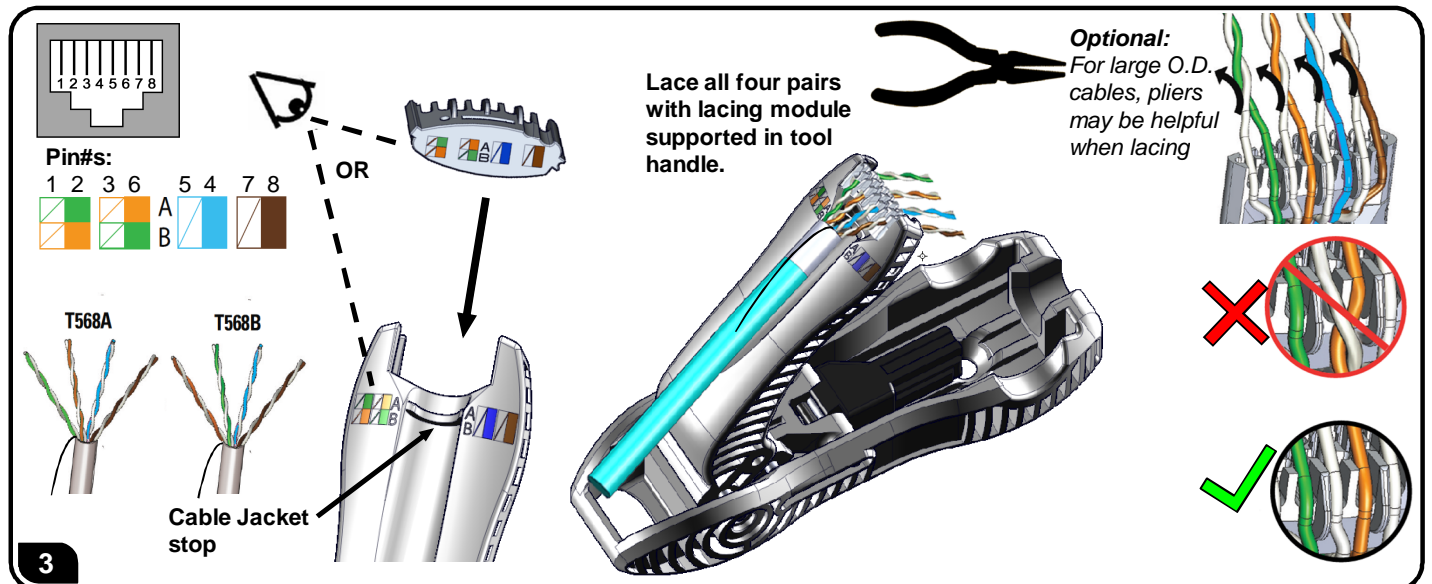
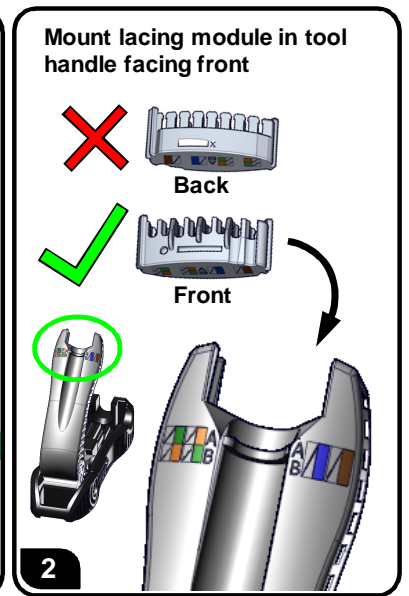
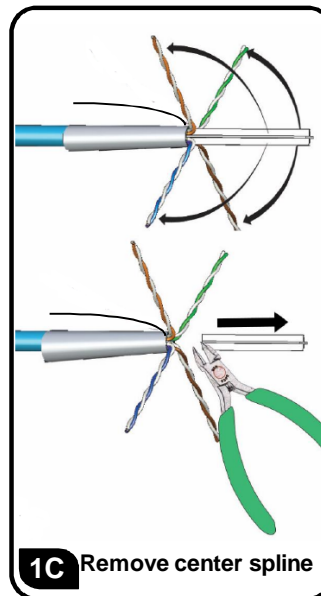
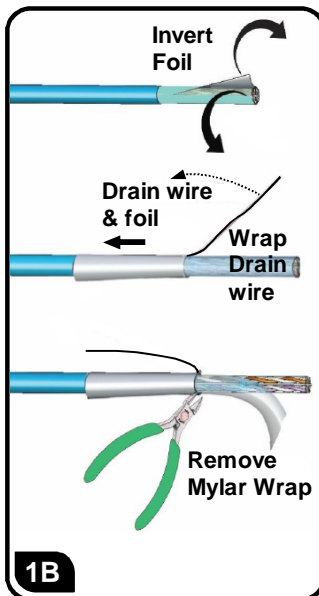
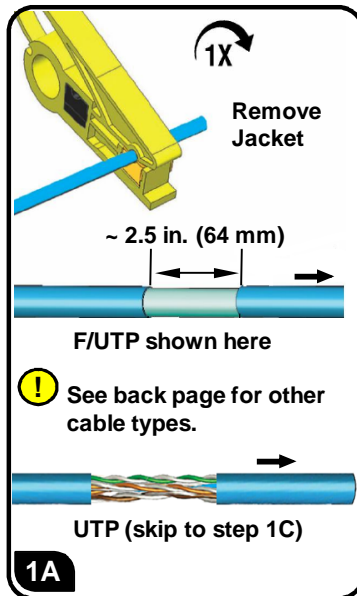
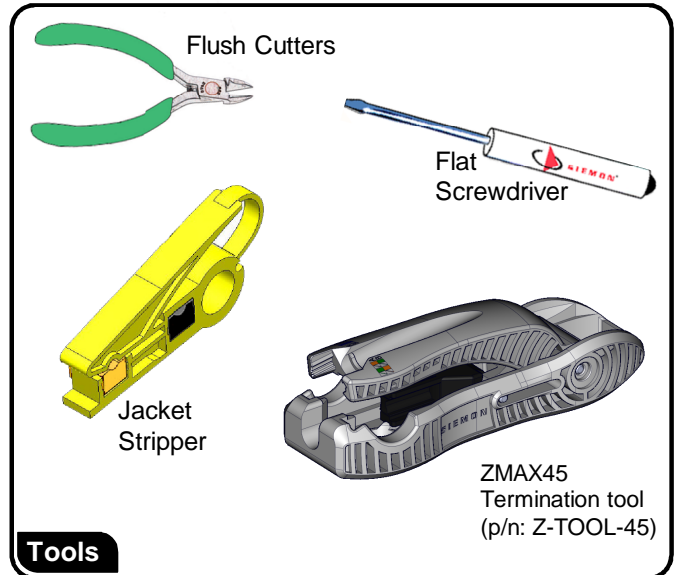
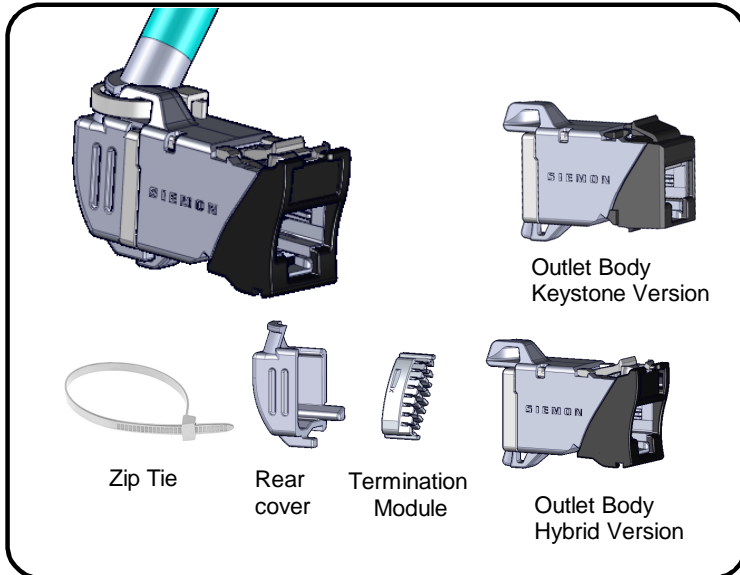
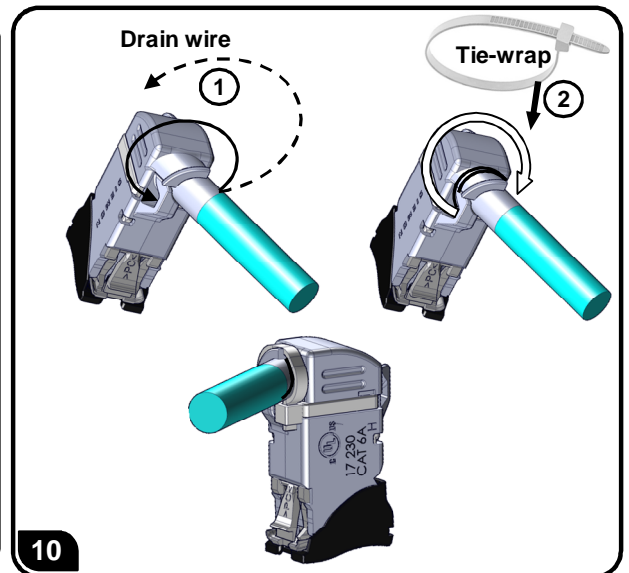
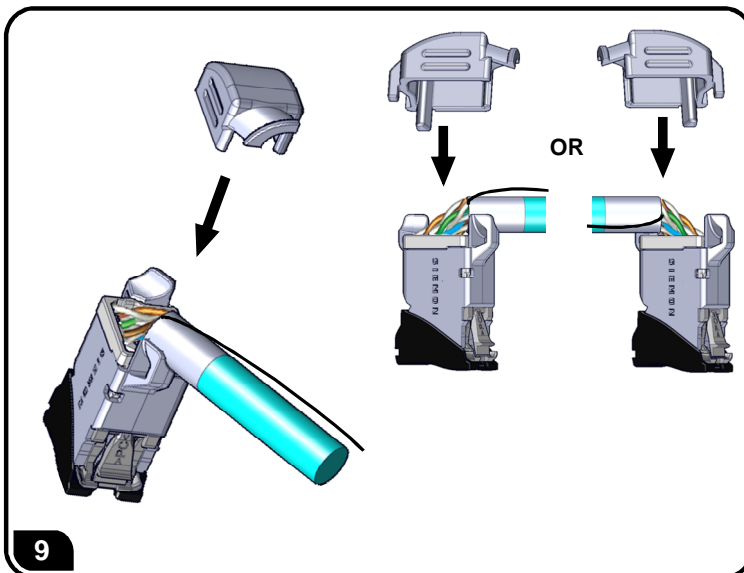
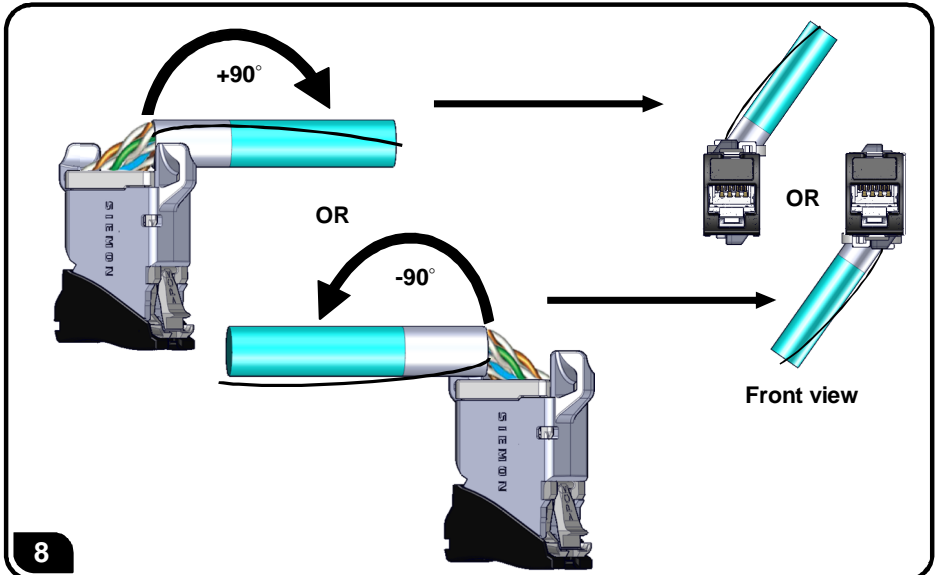
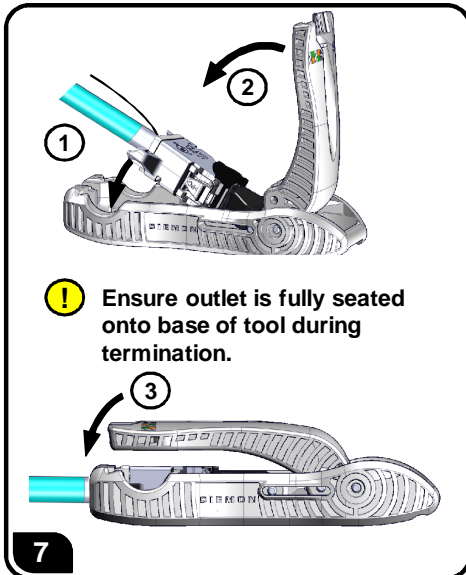
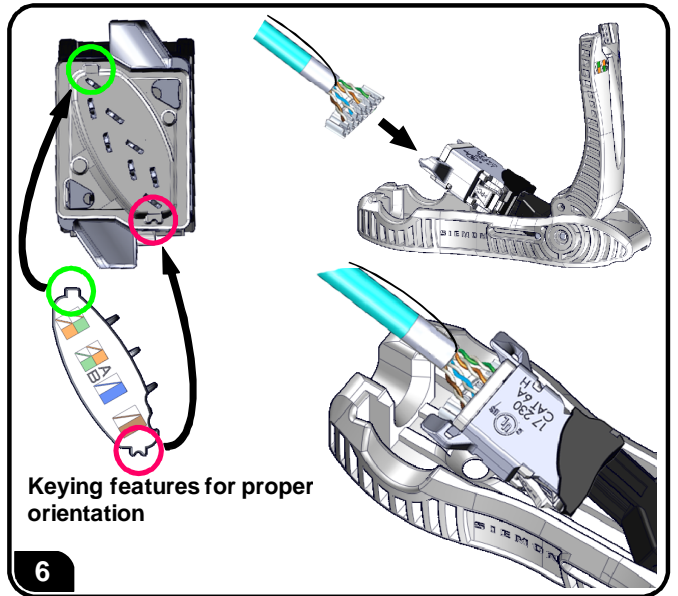
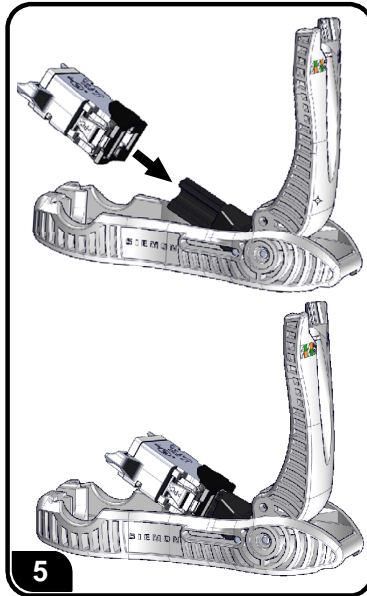
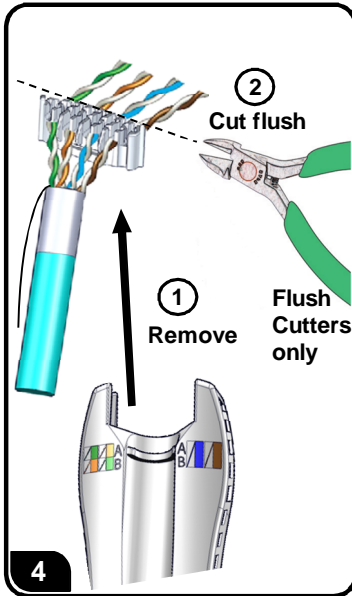


# Z-MAX 45 Termination Instructions

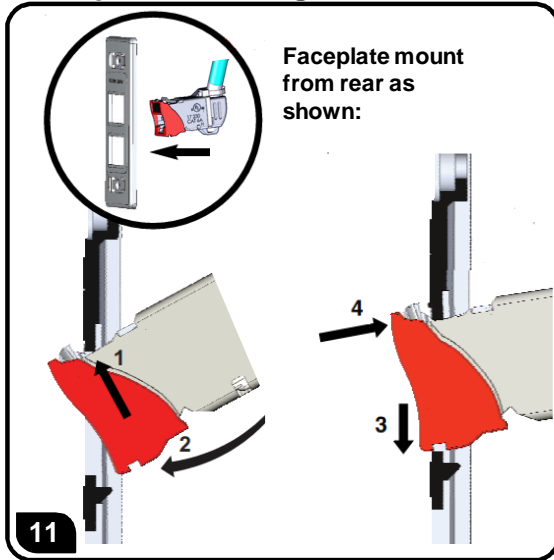


# Z-MAX 45 Termination Instructions

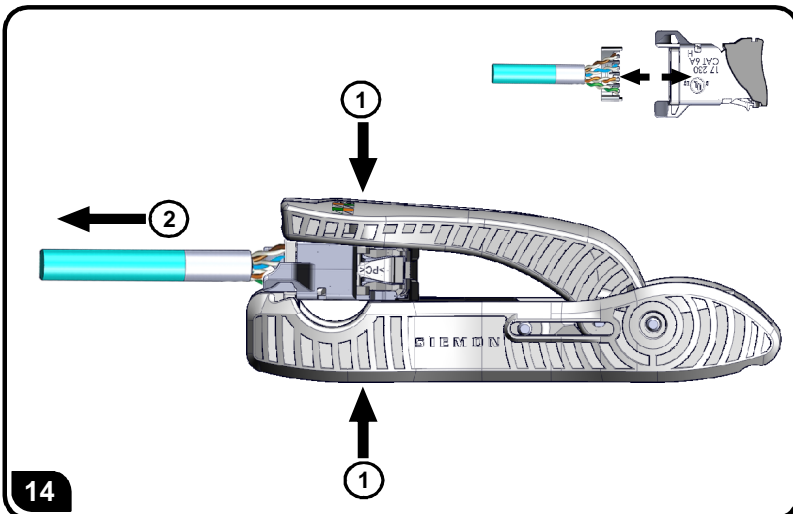
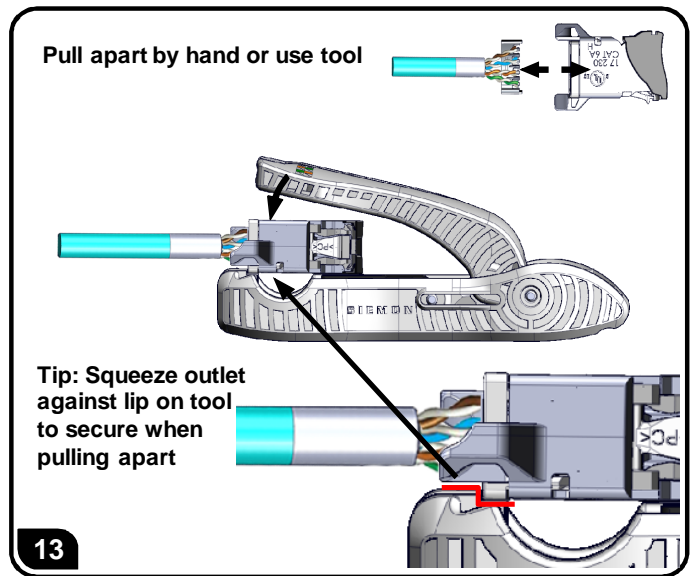
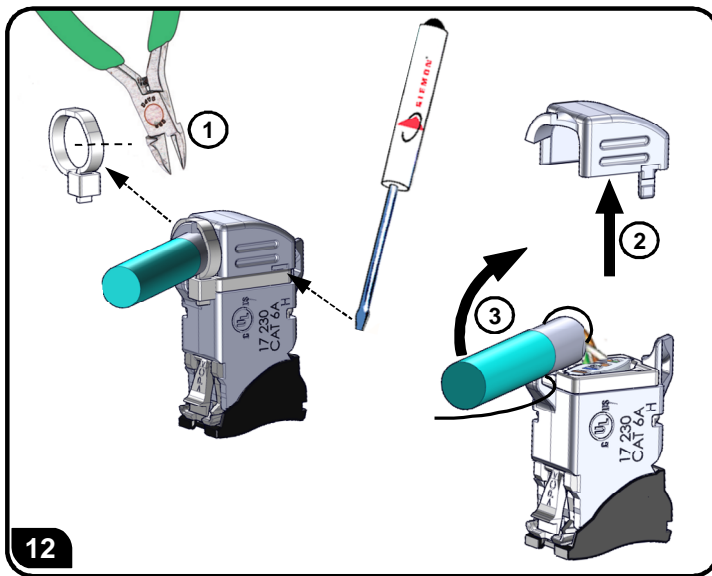


# Z-MAX 45 Termination Instructions

## Faceplate Mounting:

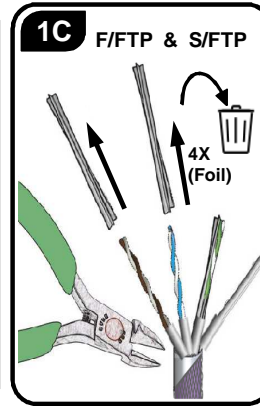
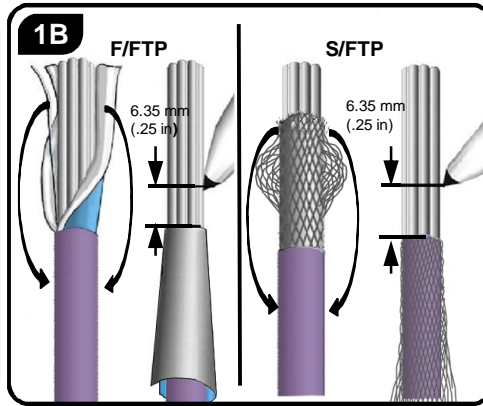
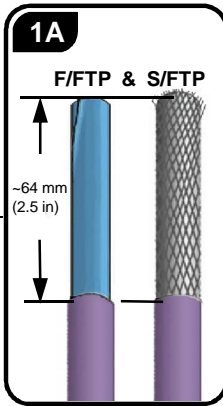


## Disassembly:



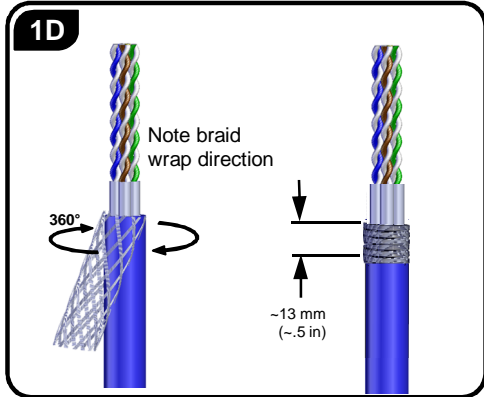
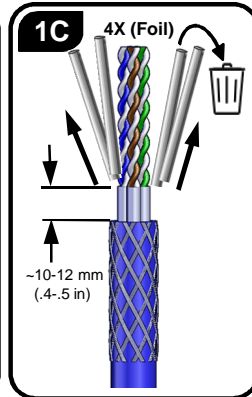
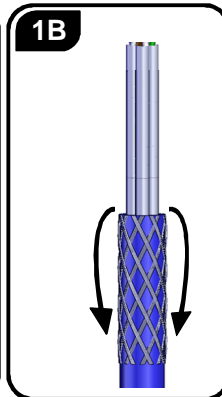
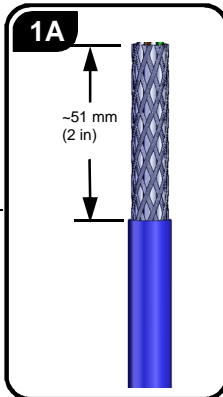
# Z-MAX 45 Termination – Alternate Cable types

S/FTP and F/FTP Solid (23 AWG)



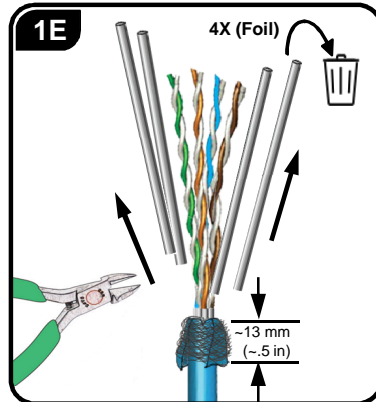
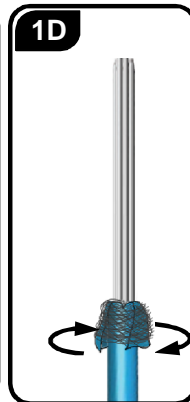
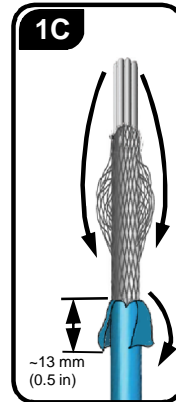
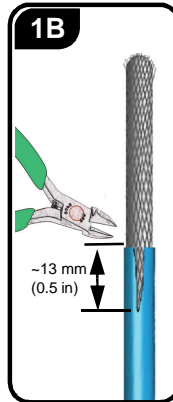
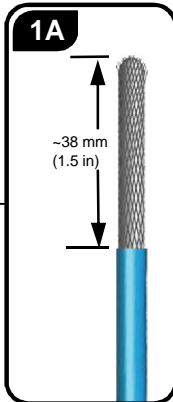
Continue To Step 2

S/FTP Solid (22 AWG)



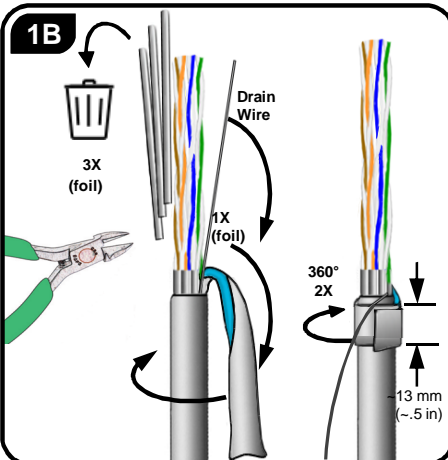
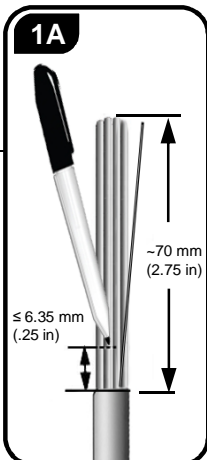
Continue To Step 2

S/FTP Stranded (26 AWG)



Continue To Step 2

U/FTP Solid



Continue To Step 2

**\*Note for OSP Category 6A shielded cable w/double jacket:**  
Please refer to the supplemental cable preparation instructions available at: [www.siemon.com/us/download/installation.aspx](http://www.siemon.com/us/download/installation.aspx) and click on **WORK AREA**.

To assist safe installations, comply with the following:

- A. Use caution when installing or modifying telecommunications circuits.
- B. Never touch uninsulated wire terminals unless the circuit has been disconnected.
- C. Never install this device in a wet location.
- D. Never install wiring during a lightning storm.

Lors de l'installation, respectez les consignes de sécurité suivantes:

- A. Utiliser avec prudence lors de l'installation ou de la modification circuits de télécommunications.
- B. Ne jamais toucher les bornes de fil métalliques non isolés sauf si le circuit a été débranché.
- C. Ne jamais installer cet appareil dans un endroit humide.
- D. Ne jamais installer pendant un orage.



To ensure you have the latest revision to this document, please visit: [www.siemon.com](http://www.siemon.com)