

### Features and Benefits

The Shielded Tool-less C6A Keystone Jack is in addition to the PowerCat 6A STP product line designed for installation in Structured Cabling Systems requiring Keystone size apertures for wall outlet installations. The jack is terminated without the use of a Punch Down Tool.

The jack is designed for use in a two-connector permanent link or channel configuration so the standard Molex C6A Shielded DataGate panels are installed in the Distribution closet and C6A Keystone Jacks are installed in the Telecommunication/Wall Outlets. The jack does not feature a dust shutter. This product provides excellent protection against electromagnetic interference protection due to its fully shielded 360° construction.

- 360° shielding for EMI protection
- Easy and fast termination process
- Ability to attach the cable in either 568A or 568B wiring.
- Compatible with Molex C6 DataGate™ jacks in a two connector permanent link or channel configuration

### Commerical Standards

TIA/EIA-568-C.2:2009, EN 50173-1:2009/A1, ISO/IEC 11801:2011 (Ed 2.2), FCC SubpartF 68.5, IEC -60603-7-51:2010

Delta Certificate

### Technical Information

#### Mechanical Characteristics

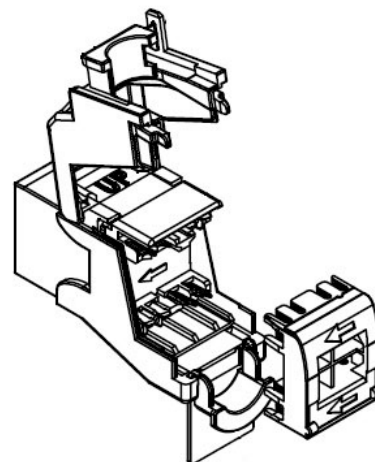
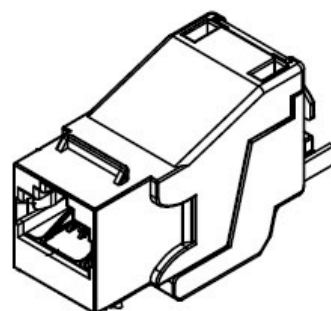
Width [mm]: 17  
 Height [mm]: 19.3  
 Depth [mm]: 42.4  
 Weight [g]: 40  
 Material: Zinc Alloy plated  
 Bright Ni/Cu

Connector Housing: Zinc Alloy plated  
 Bright Ni/Cu  
 Operating Life: Minimum 750  
 insertion cycles  
 Contact Material: Copper Alloy  
 Contact Plating: 1.25 micrometres  
 Au/Ni  
 Contact Force: 100g minimum  
 Plug Retention Force: 6.8kg minimum

IDC Connector Housing: Polycarbonate,  
 UL94V-0 rated  
 Operating Life: Minimum 20  
 reterminations  
 Contact Material: Copper Alloy  
 IDC Contact Plating: Tin Matte Finish  
 Contact Force: 100g minimum  
 Wire Accommodation: 22-24 AWG solid

#### Electrical/Optical Characteristics

Interface Resistance: 20mΩ  
 Initial Contact Resistance: 2.5mΩ  
 Insulation Resistance: >100MΩ



## ORDERING INFORMATION

Order No.	SAP No.	Description
KSJ-00079	Consult Molex	PowerCat 6A Tool-less shielded Keystone Jack, RJ45, 360°, 568A/B