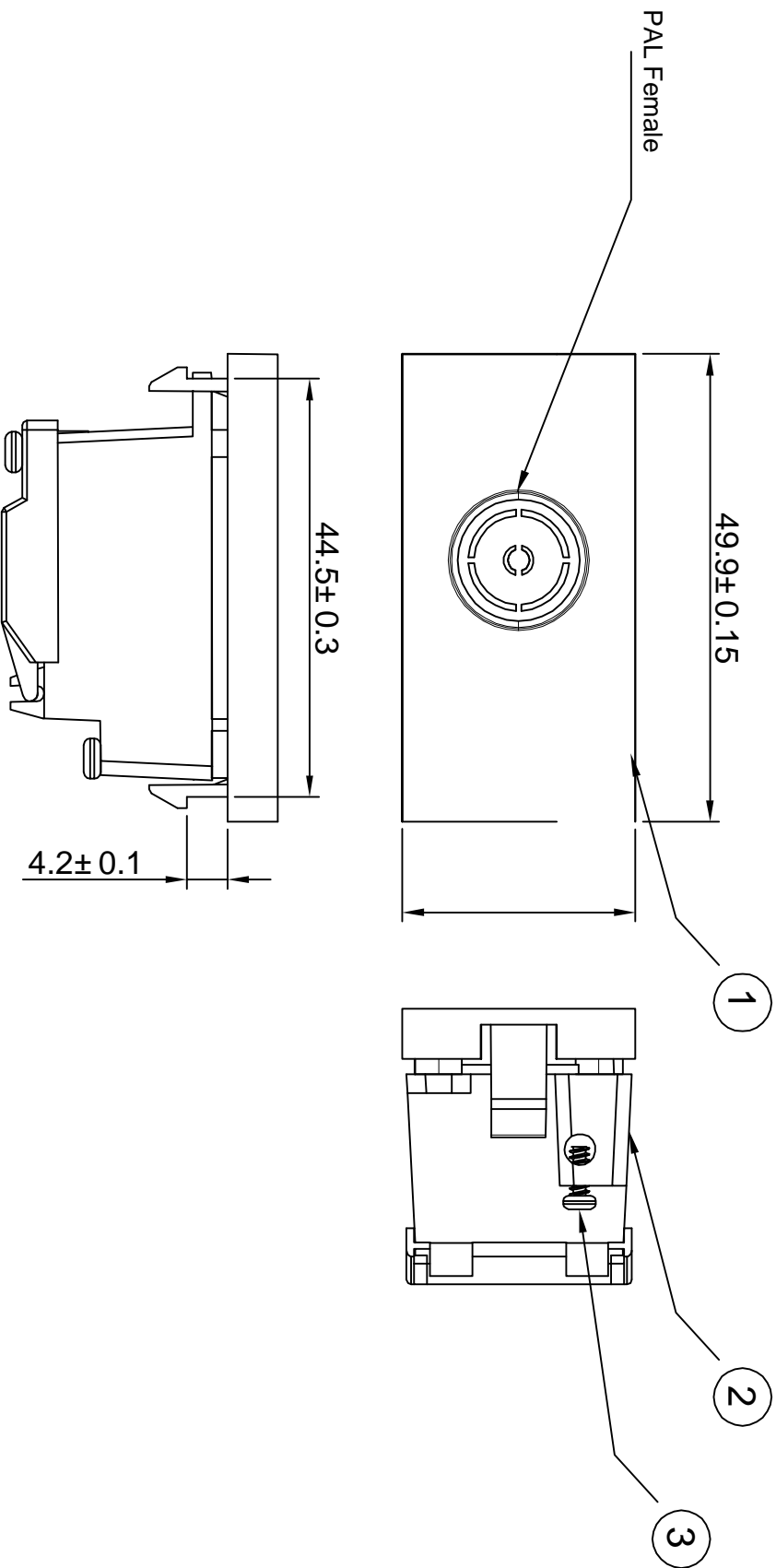


③	Screw: Iron with nickel plating
②	Body: Zinc
①	ABS
NO.	MATERIAL



				DESCRIPTION	FINISHED PRODUCTS	SCALE	FIT	UNITS: mm
APPROVED	CHECKED	DRAWING	DESIGNED	MODEL NO.	789089 (Black), 808814 (White)			
				DRAWING NO.				
				FINISHING			▲	9/17/2018
				MATERIAL			SYM	DATE