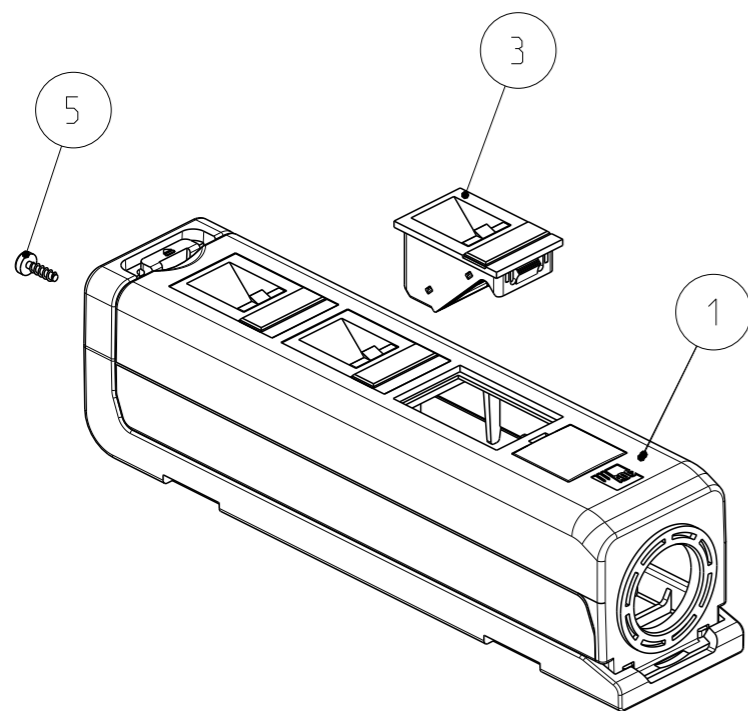
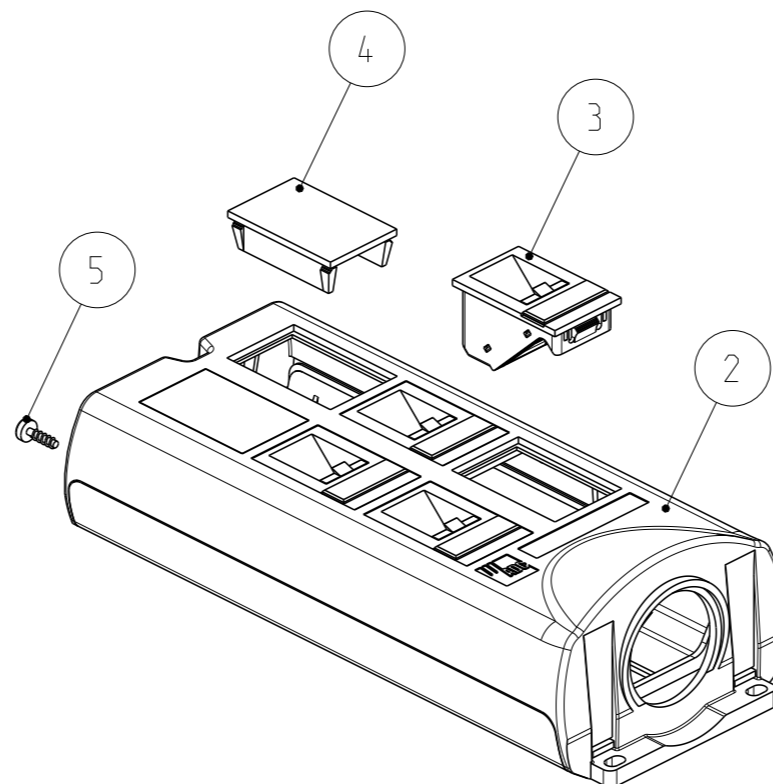


P	LTR	DESCRIPTION	DATE	DWN	APVD
	A	RELEASE	19APR2013	LC	JS
	A1	2153216-3 BOM CORRECTED	02MAY2013	LC	JS

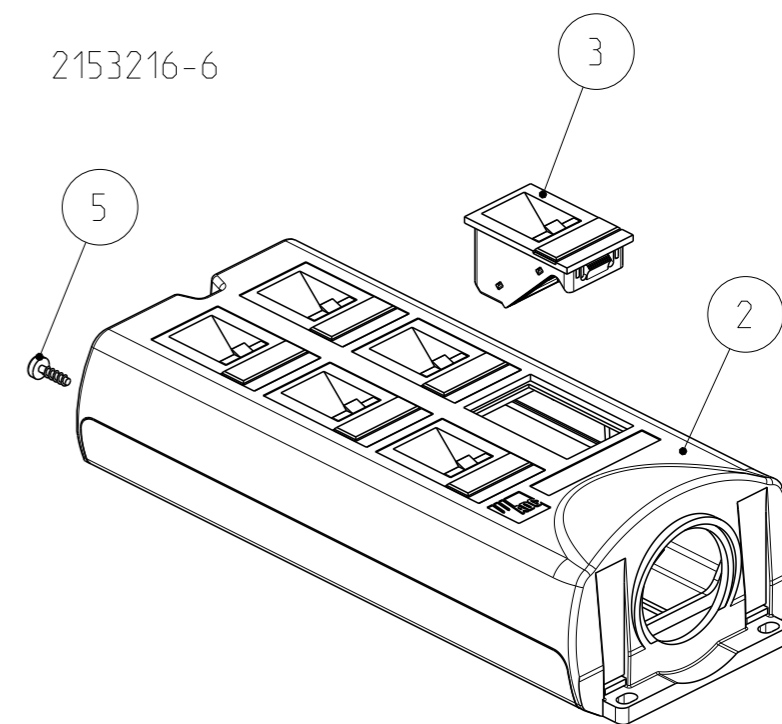
2153216-3



2153216-4



2153216-6



- 1. SMALL COMPONENTS DELIVERED IN A POLYBAG INSIDE THE MINIPOD
- 2. PACKAGING ACCORDING TO TE STANDARDS

QTY	DESCRIPTION	ITEM
1	SCREW	5
-	BLANKING PLATE LJ6C	4
6	ANGLED ADAPTOR LJ6C	3
1	MINIPOD SUB-ASSY 6 PORT	2
-	MINIPOD SUB-ASSY 3 PORT	1
-6	-4	-3

THIS DRAWING IS A CONTROLLED DOCUMENT.		DWN L. COBACHO 19APR2013	TE Connectivity													
DIMENSIONS: mm		CHK A. CARRERAS 19APR2013														
TOLERANCES UNLESS OTHERWISE SPECIFIED:		APVD J. SANABRA 19APR2013	NAME UNLOADED MINIPOD WITH ANGLED ADAPTOR													
<table border="0"> <tr> <td>0 PLC</td><td>±</td></tr> <tr> <td>1 PLC</td><td>±</td></tr> <tr> <td>2 PLC</td><td>±</td></tr> <tr> <td>3 PLC</td><td>±</td></tr> <tr> <td>4 PLC</td><td>±</td></tr> <tr> <td>ANGLES</td><td>±</td></tr> </table>		0 PLC	±	1 PLC	±	2 PLC	±	3 PLC	±	4 PLC	±	ANGLES	±	PRODUCT SPEC -	RESTRICTED TO -	
0 PLC	±															
1 PLC	±															
2 PLC	±															
3 PLC	±															
4 PLC	±															
ANGLES	±															
MATERIAL -		APPLICATION SPEC -	SIZE A3	CAGE CODE -												
FINISH -		WEIGHT -	DRAWING NO C=2153216	REV A1												
Customer Drawing			SCALE 1:2	SHEET 1 OF 1												