

CAT6A FIELD TERMINATION RJ45 PLUG



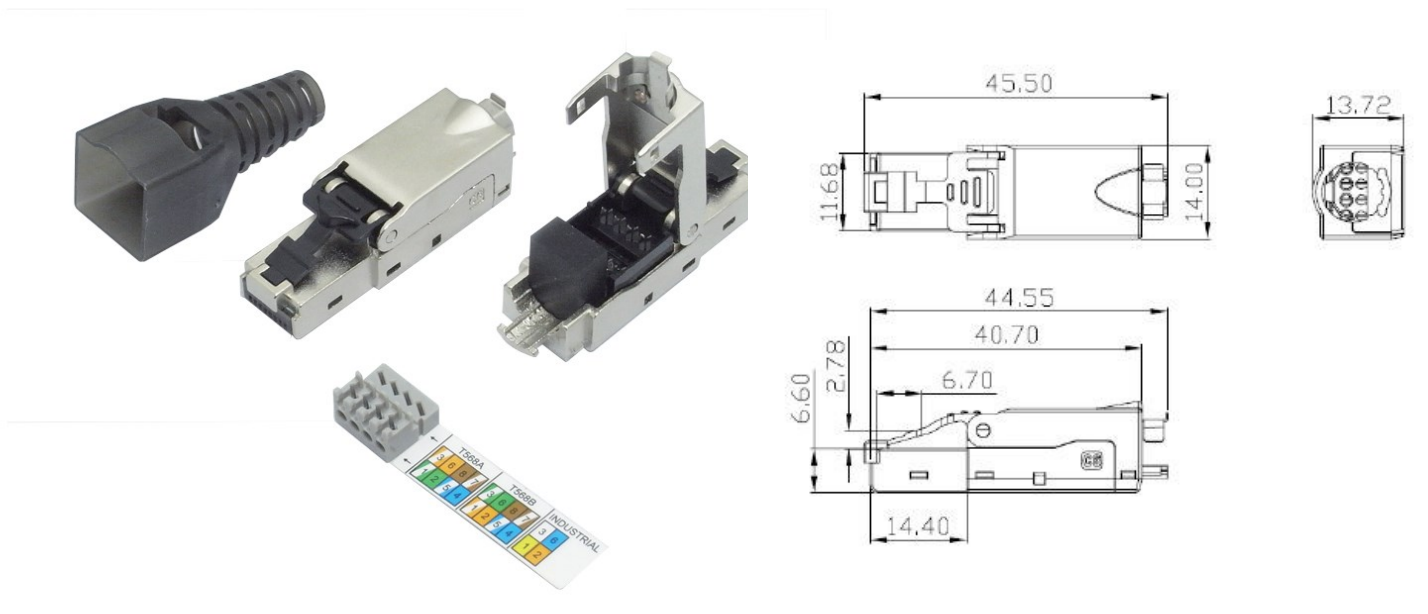
Technical information

Features:

- ◆ Screened Cat 6A RJ45 plug for field termination
- ◆ Suitable for solid and stranded wires
- ◆ No special tools required
- ◆ Can be re-terminated up to five times
- ◆ Complies with IEC 60603-7-5
- ◆ UL listed
- ◆ 568A, 568B and PNO wiring schemes

Specifications

Plug Body	Zinc alloy
Plug Contact	Phosphor bronze, finished with 50μ gold plating on jack contact area
Mating Cycles	750
Cable Diameter	6-9mm
Suitable Wire Sizes	Stranded AWG22-27, Solid AWG22-26
Max. Conductor Insulation Diameter	1.65mm
Current Rating	1.5A
Dielectric Withstanding Voltage	1000V DC
Insulation Resistance	500MΩ min.
Contact Resistance	20mΩ max.



Part Number

Item	Description	Type	Construction	Colour
801991	Cat6A Field Termination RJ45 Plug	Shielded	Three Part	Silver