

# FIBRE FTTX IP54 TERMINATION BOX - 24C

Technical information



## Features:

- ◆ Mainly used in FTTx projects
- ◆ Protects and manages cable effectively
- ◆ Fully closed structure
- ◆ High quality PC and ABS material
- ◆ Good properties of dust, water and moisture proofing
- ◆ IP54 rated
- ◆ Suitable for SC and LC duplex adaptor
- ◆ Flexible splice tray
- ◆ Wall and pole mountable (accessories optional)
- ◆ Suitable for indoor and outdoor use

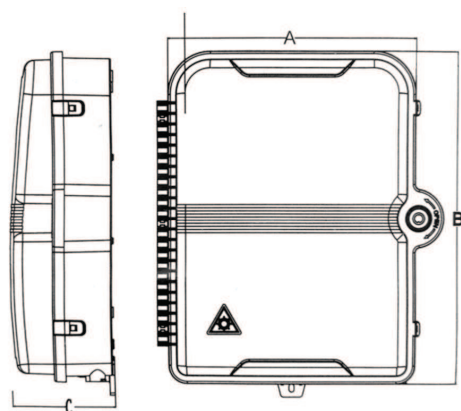


## Technical

Work Temperature	-40 °C ~+85 °C
Relative Humidity	≤ 85% (+30 °C)
Atmospheric Pressure	70Kpa~106Kpa
Insert Loss	≤ 0.2dB
UPC Return Loss	≥ 50dB
APC Return Loss	≥ 60dB
Insert and Pull out Life	≥ 1000 times
Insulation	The grounding device is insulated with the Termination box, IR ≥1000m Ω/500V (direct current)
Withstand Voltage	Between the grounding device and the box body, the withstand voltage is over 3000V/Min, no breakdown and flashover. U ≥3000V (direct current)

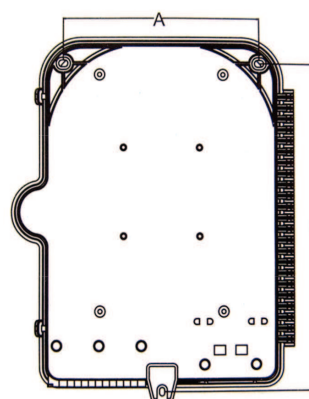
## Dimensions

238mm x 318mm x 100mm (AxBxC)



## Installation Dimensions

190mm x 300mm (AxB)



## Description

Description	Dimensions
Fibre FTTx IP54 Termination Box - 24C	238mm x 318mm x 100mm (AxBxC)

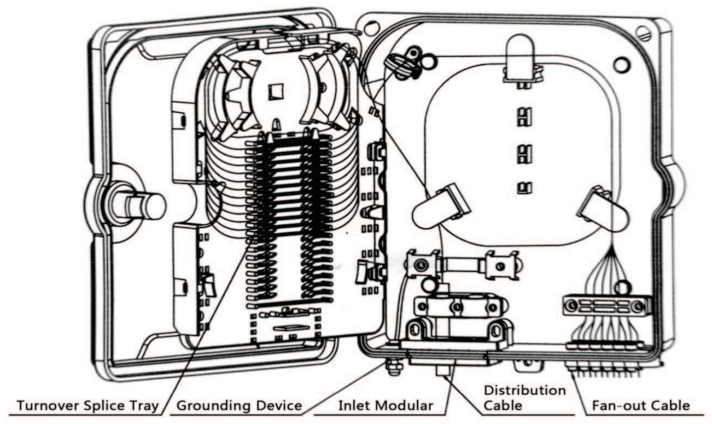
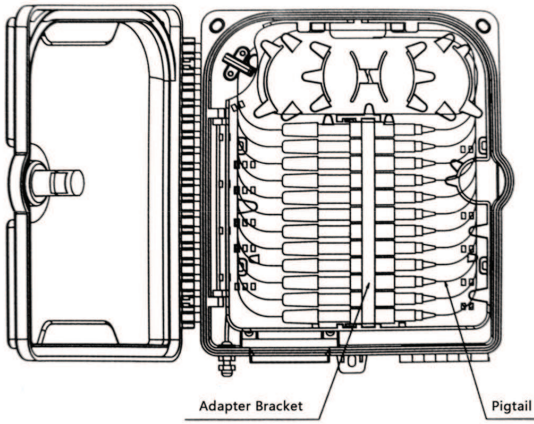


# FIBRE FTTX IP54 TERMINATION BOX - 24C



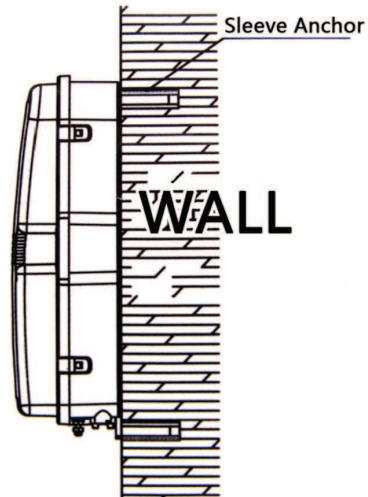
Technical information

## Wiring Diagram



## Wall mount Installation

Drill 4 holes in the wall, insert plastic extension pipe (ø7.5x40), then hang the box on the wall and fix in place with screws



## Features

