

Fibre Keystone Coupler



Our new range of fibre couplers extends our selection of multimedia adapters. These female to female keystone couplers with their standardised dimensions can be used for easy snap-in mounting in a keystone patch panel, faceplate or surface-mount box. Their range now consists of couplers for the six of the most popular fibre connectors (SC, ST and LC) in both black and white. The compact design allows fitting 24 keystone couplers in a 1U keystone patch panel.

Features

- Fibre female to female keystone couplers as follows:
 - SC to SC multi-mode simplex
 - SC to SC single mode simplex
 - LC to LC multi-mode duplex
 - LC to LC single-mode duplex
 - ST to ST multi-mode simplex
 - ST to ST single-mode simplex
- Designed to fit industry standard keystone outlets and patch panels
- Black and white versions available to match panel or faceplate colour
- Available as part of our innovative new panel mount coupler, designed for easy mounting on panels of virtually any thickness
<https://www.comtecdirect.co.uk/product/ultima-multimedia-unloaded-patch-panels/PG3456/781933/>



Specifications

- Connections: female to female
- Keystone housing: ABS UL94V-0
- Dimensions (without dust covers) in black/white keystone housing:

KOCMM: SC to SC multi mode simplex approx. 28x21x17mm
Colour: beige

KOCSM: SC to SC single mode simplex approx. 28x21x17mm
Colour: blue

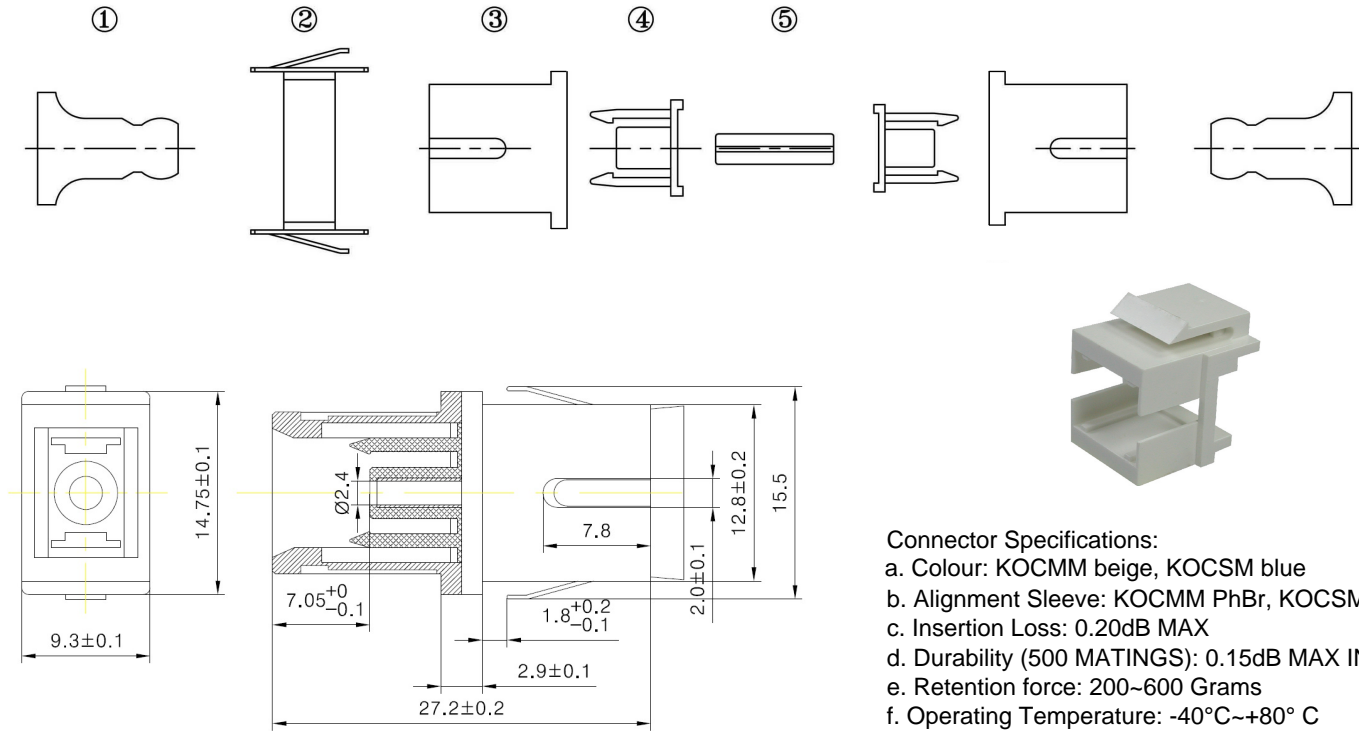
KOLMM: LC to LC multi mode duplex approx. 27.5x21x17mm
Colour: beige

KOLSM: LC to LC single mode duplex approx. 27.5x21x17mm
Colour: blue

KOTMM: ST to ST multi mode simplex approx. 30x21x15mm
Colour: silver - black dustcover

KOTSM: ST to ST single mode simplex approx 30x21x15mm
Colour: silver - yellow dustcover

ROHS Compliant

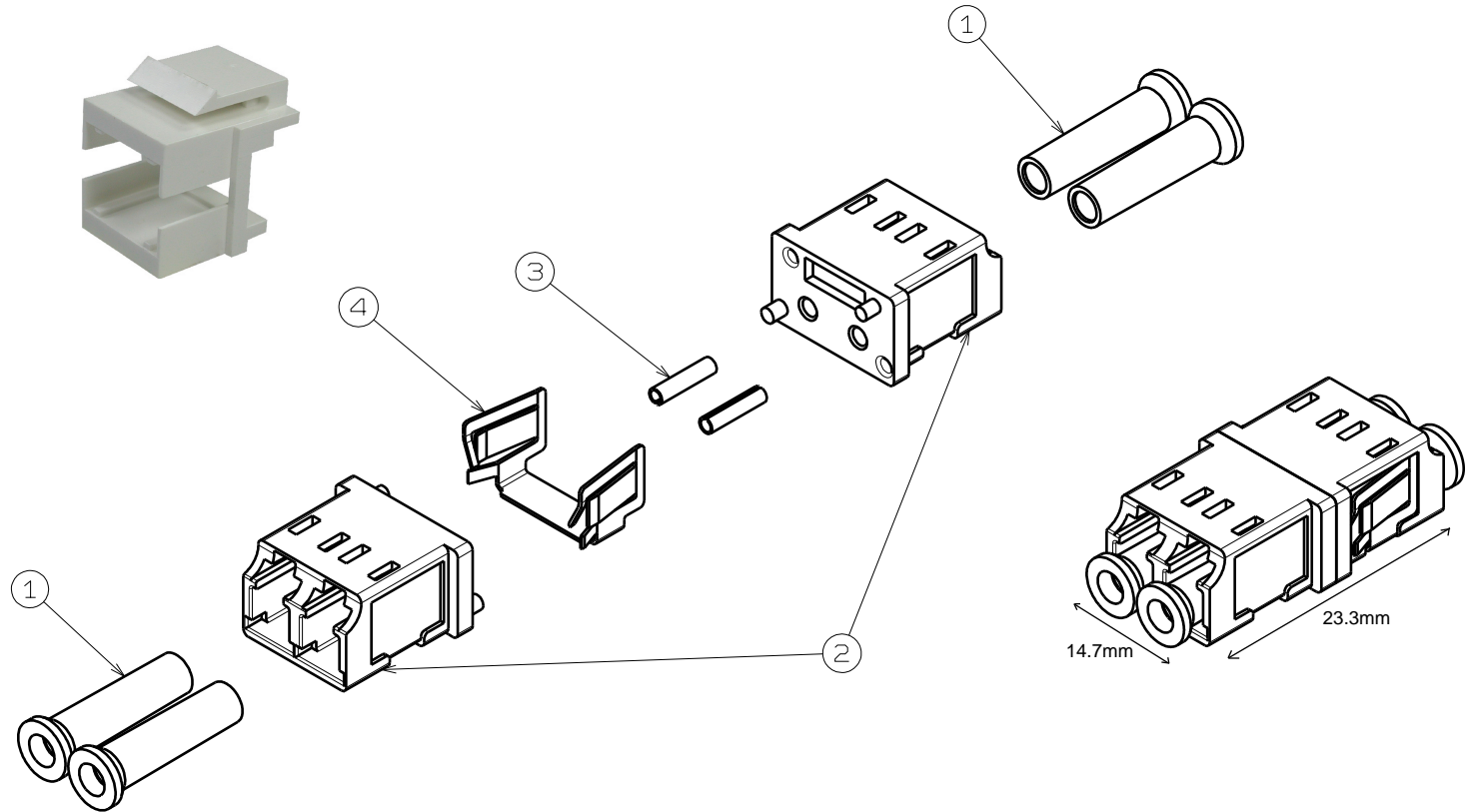


Connector Specifications:

- a. Colour: KOCMM beige, KOCSM blue
 - b. Alignment Sleeve: KOCMM PhBr, KOCSM Zr02
 - c. Insertion Loss: 0.20dB MAX
 - d. Durability (500 MATINGS): 0.15dB MAX INCREASE
 - e. Retention force: 200~600 Grams
 - f. Operating Temperature: -40°C~+80° C
- Keystone Adaptor Material: ABS UL94V-0, available in white or black

5	Sleeve	KOCMM PhBr, KOCSM Zr02	1	∇:Critical Dim
4	SC Hook	PBT(GF 15%)	2	⊙:Major CAV
3	SC Adaptor Body Simplex	PBT(GF 30%)	2	Tolerances 0. ±0.50 0.0 ±0.20
2	Clip	Stainless	1	
1	SC Adaptor Cap	ABS	2	
NO	Descriptions	Material	Q'ty	Angle ±2°

ROHS Compliant

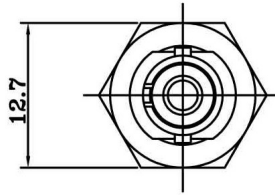
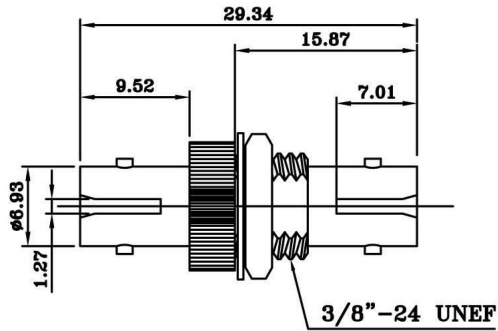
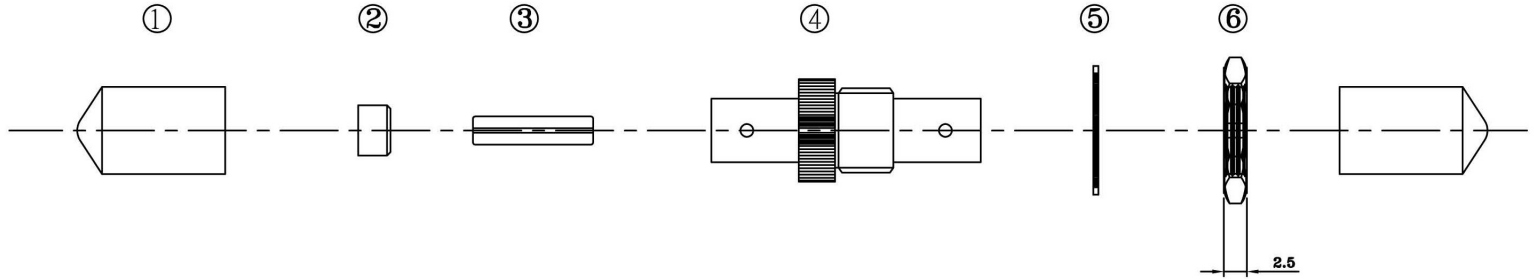


4	Staple Spring	Stainless Steel	1
3	Sleeve	KOLMMDX PhBr, KOLSMDX Zr02	2
2	Adaptor Housing	Polyetherimide (PEI)	2
1	Dust Cap	PP	2
No.	Description	Material	Q'ty

Specifications:

1. Colour: KOLMMDX beige, KOLSMDX blue
 2. Alignment Sleeve: KOLMMDX PhBr, KOLSMDX Zr02
 3. Insertion Loss: 0.20dB MAX
 4. Durability (500 MATINGS): 0.15dB MAX INCREASE
 5. Retention force: 100~250 Grams
 6. Operating Temperature: -40°C~+80° C
- Keystone Adaptor Material: ABS UL94V-0, available in white or black

ROHS Compliant



Connector specifications:

- a. Colour: KOTMM black dust cover, KOTSM yellow dust cover
 - b. Alignment Sleeve: PhBr, Zr02
 - c. Insertion Loss: 0.20dB MAX
 - d. Durability (500 MATINGS): 0.15dB MAX INCREASE
 - e. Retention Force: 200~600 Grams
 - f. Operating Temperature: -40°C~+80° C
 - g. Material: Zn-Alloy
- Keystone Adaptor Material:ABS UL94V-0, available in white or black

NO	Descriptions	Material	Q'ty	
6	3/8"-24 UNEF	Cu-Ni	1	∇ :Critical Dim ⊙ :Major CAV Tolerances 0. ±0.50 0.0 ±0.20 Angle ±2°
5	Washer	Steel-Ni	1	
4	ST Adaptor Body Simplex	Zn-Alloy	1	
3	Sleeve	KOTMM PhBr, KOTSM Zr02	1	
2	Bush	Cu-Ni	1	
1	ST Adaptor Cap	PVC	2	

