



# CAT 6 KEYSTONE JACK 90° TOOLLESS



## Technical information

### Features:

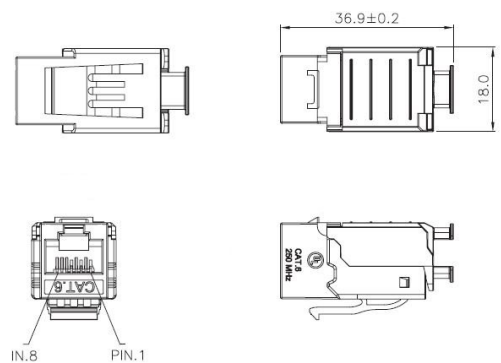
- ◆ RJ45 8P8C jack
- ◆ Cat 6 compliant performance
- ◆ 568A & B wiring options
- ◆ 'Toolless' termination or 110 Punchdown
- ◆ For use in Ultima keystone panels, shutters and face-plates
- ◆ 25 year Ultima System Warranty

### Materials

Jack Housing	ABS+PC, UL94V-0
RJ45 Jack Contact	Phosphor bronze, nickel plated, finished with 50µ gold plating on plug contact area
IDC Housing	PC+Glass Fibre, UL 94V-2
IDC Contact	Phosphor bronze, tin plated
Wire Retention Cap	PC+Glass Fibre, UL 94V-2

### Performance

Insertion Force	20N max.
Retention Strength	7.7kg between Jack and Plug
Operating Temperature	-10°C to 60°C
Mating Cycles	750 cycles min.
IDC Wire Range	22-26 AWG solid and stranded wire. Compatible with 110 punchdown tool



### Part Number

Item	Description	Type	Termination	Colour
790014	Keystone Jack Cat 6	Unshielded	90° Toolless	White
792380	Keystone Jack Cat 6	Unshielded	90° Toolless	Black
815147	Keystone Easy Tool		90° Toolless	Black