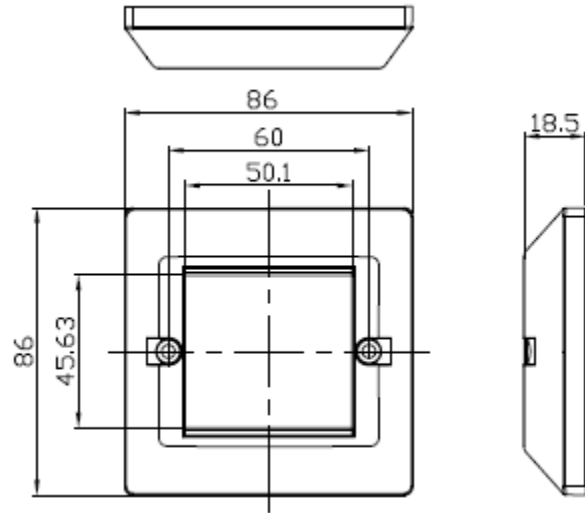


# Draka UC<sup>Connect</sup> ACC



## Technical data

Material Code	Material Description	Description Code	Weight	Items per Packaging Unit
YFPBP00294	European Bevelled Plate 86X86 (50x50)	UC CACC BF 4 EU	23g	1 or 50
<b>Related Products</b>				
Material Code	Material Description	Description Code	Weight	Items per Packaging Unit
1021253	YMSBP00093 Cat5e UTP 50x25 Module 180° Punchdown in White	UC C300 MS TR U WH	22g	1 or 50
1021266	YMSBP00100 Cat6 UTP 50x25 Module 180° Punchdown in White	UC C400 MS TR U WH	11,7g	1 or 50
1021333	YAABP00127 Angled Single Port Adaptor 25 X 50	UC CACC AA 01 EU	8g	1 or 50
1021329	YMABP00123 Flat Single Adaptor 25 x 50	UC CACC MA 01 EU	8g	1 or 50
1021321	YBIBP00121 Blank Euromod Insert 12.5 x 25	UC CACC BI 1/2 EU	3,1g	1 or 50
1021336	YBIBP00130 Blank Euromod Insert 25 x 50	UC CACC BI 01 EU	4g	1 or 50

© PRYSMIAN GROUP 2013, All Rights Reserved

All sizes and values without tolerances are reference values. Specifications are for product as supplied by Prysmian Group: any modification or alteration afterwards of product may give different result.

The information contained within this document must not be copied, reprinted or reproduced in any form, either wholly or in part, without the written consent of Prysmian Group. The information is believed to be correct at the time of issue. Prysmian Group reserves the right to amend this specification without prior notice. This specification is not contractually valid unless specifically authorised by Prysmian Group.