



**FOLDS
FLAT TO
THE WALL**

BTV5 14

FLAT SCREEN WALL MOUNT WITH DOUBLE ARM

Designed to mount large sized screens, this ultra-slim wall mount with double arm features a tilting interface and three swivel points, allowing quick and easy repositioning of screens, whether folded flat to the wall or at maximum extension. Cable management is included to help make a neat and tidy mounting solution which is ideal for home installations as well as commercial applications.

SPECIFICATION

Recommended Screen Size	up to 60"
Max Load	35kg
VESA® compatibility	up to 600 x 400
Universal Fixings	up to 600 x 400mm
Tilt	+10°/-2°
Swivel	180°
Extension	40 - 450mm
Colour	Black

FEATURES

- Universal screen interface suitable for all screens
- Ultra-slim design allows close to the wall installation when folded flat
- Double arm for extended reach - ideal for corner mounting
- Lateral adjustment of screen once mounted
- Cable management clip included
- Simple 'hook-on' installation
- All mounting hardware included



Double arm for extended reach



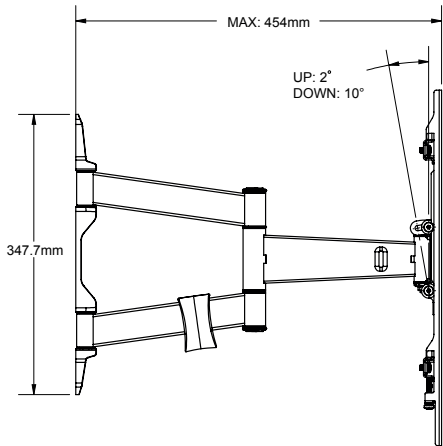
Cable management clip included



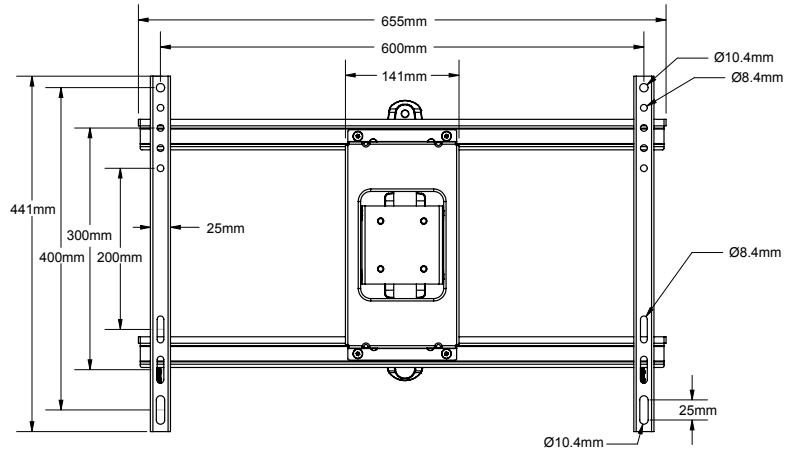
3 pivot points for easy screen positioning



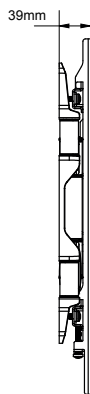
Ultra-slim design mounts screen only 40mm from wall when folded flat



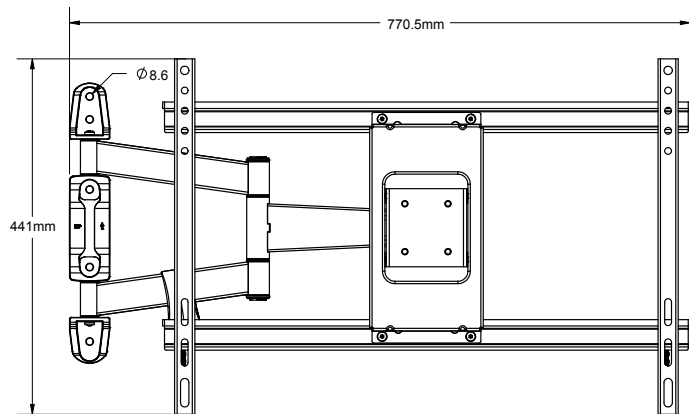
SIDE VIEW - MAXIMUM EXTENSION



FRONT VIEW - MAXIMUM EXTENSION



SIDE VIEW - ARM FLAT TO THE WALL



FRONT VIEW WITH ARM EXTENDED TO SIDE

PACKING INFORMATION

COLOUR:	ORDER REF:	EAN CODE:	MASTER CARTON QTY:	INNER CARTON QTY:	MASTER CARTON WEIGHT:	MASTER CARTON CUBE:
Black	BTV514/B	5019318440632	2	0	12.6kg	0.033cbm

ACCESSORIES AND SIMILAR PRODUCTS TO THE BTV514



BT8221
Double Arm Wall Mount with Tilt & Swivel designed for screens up to 65"



BT8225
Twin Cantilever Arm Wall Mount with Tilt & Swivel designed for screens up to 75"



BTV920
AV Component Shelf designed for holding all common AV equipment



BTV914
Universal Soundbar Mount fits directly to BTV514 to mount a Soundbar under your screen

© 2016 B-Tech Consumer Products, All rights reserved.
The information in this specification is subject to change without notice. This is a technical drawing and the dimensions are not intended to be used for manufacturing or repair. B-Tech Consumer Products is not responsible for any damage caused by improper or misuse of the product. Any reproduction or transmission of any part of this specification is strictly prohibited unless prior written permission has been granted by B-Tech Consumer Products Ltd. (BTL).
SS-BTV514-V1-110216