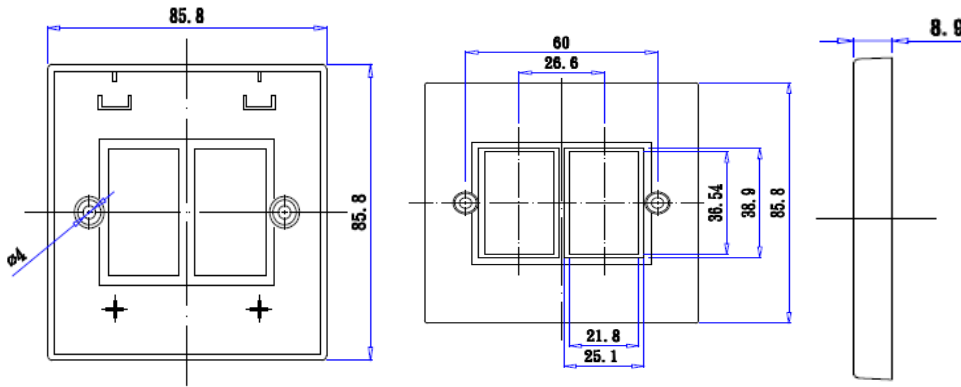


Draka UC Connect ACC

Dual Port UK Frame (LJ6C Type)



Technical data

Material Code	Material Description	Description Code	Weight	Items per Packaging Unit
YFPBP01841	Dual port UK frame 86x86 (LJ6C Type)	UC CACC FP 02 6C V1	8g	1 or 50
Related Products				
Material Code	Material Description	Description Code	Weight	Items per Packaging Unit
YPMAP01842	LJ6C Flat Single Adaptor 38 X 25	UC CACC MA 01 6C V1	8g	1 or 50
YAABP01691	LJ6C Angled Single Adaptor 38 x 25	UC CACC AA 01 6C V1	8g	1 or 50

© PRYSMIAN GROUP 2013, All Rights Reserved

All sizes and values without tolerances are reference values. Specifications are for product as supplied by Prysmian Group: any modification or alteration afterwards of product may give different result.

The information contained within this document must not be copied, reprinted or reproduced in any form, either wholly or in part, without the written consent of Prysmian Group. The information is believed to be correct at the time of issue. Prysmian Group reserves the right to amend this specification without prior notice. This specification is not contractually valid unless specifically authorised by Prysmian Group.