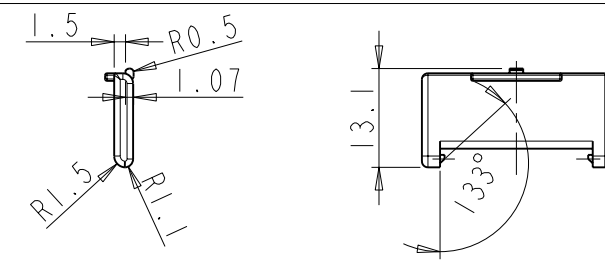
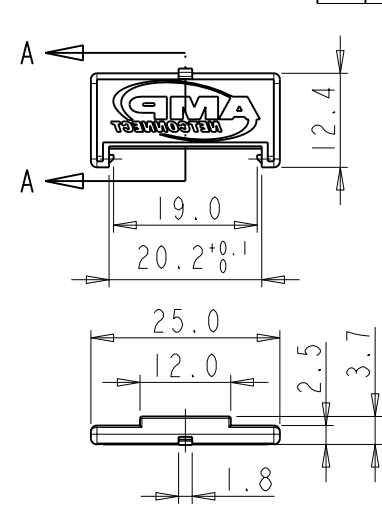
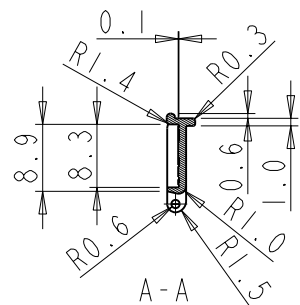


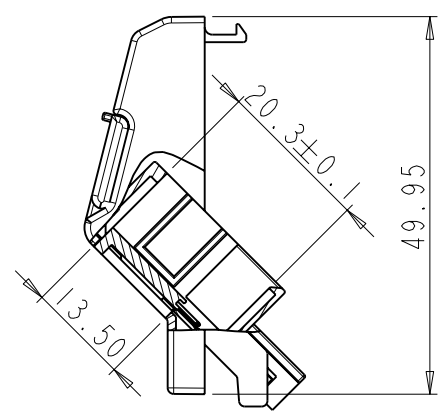
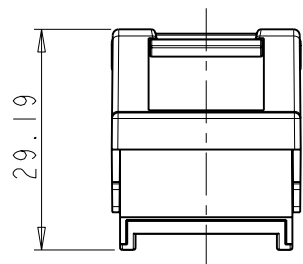
THIS DRAWING IS UNPUBLISHED. RELEASED FOR PUBLICATION 2007
 © COPYRIGHT 2007 BY TYCO ELECTRONICS CORPORATION. ALL RIGHTS RESERVED.

LOC	DIST	REVISIONS			
P	LTR	DESCRIPTION	DATE	DWN	APVD
1K	2	A	FIRST RELEASE	07OCT2005	MP JS
		B	ECR-07-009055	18APR2007	ACG JS
		C	SEE ECR-08-007911	10APR2008	L.C. J.S.
		D	SEE ECR-08-016116	04JUL2008	L.C. J.S.

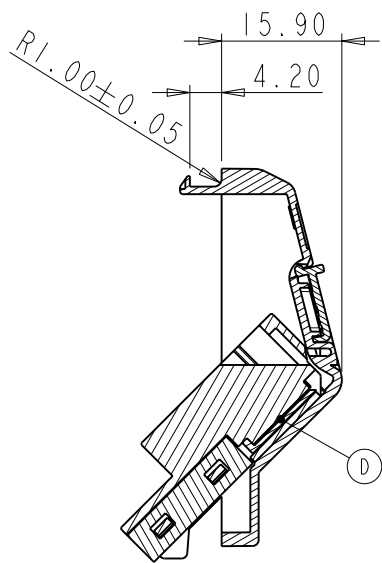
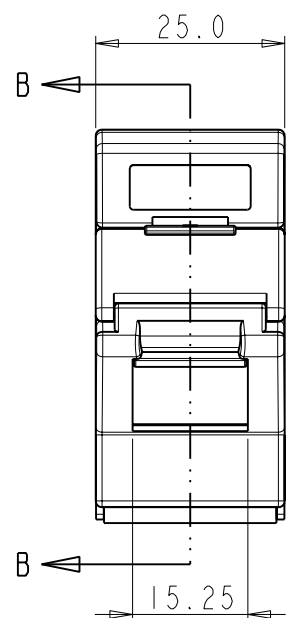
1. PRODUCT DESCRIPTION:
 ANGLED 25x50 UNLOADED SHUTTERED MODULE



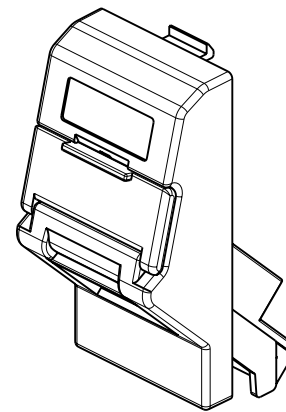
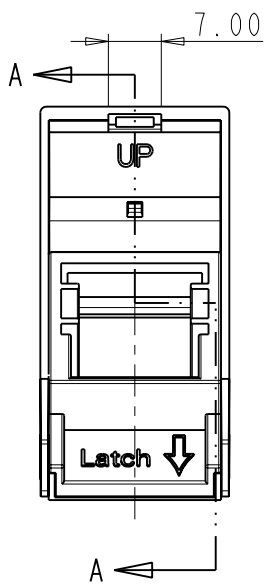
TRANSPARENT LABEL COVER



B-B



A-A



PC/ABS	9003	1711275-1
MATERIAL	RAL	DASH

THIS DRAWING IS A CONTROLLED DOCUMENT FOR TYCO ELECTRONICS CORPORATION IT IS SUBJECT TO CHANGE AND THE CONTROLLING ENGINEERING ORGANIZATION SHOULD BE CONTACTED FOR THE LATEST REVISION.		DWN 06OCT2005 M. PANADERO CHK 06OCT2005 A. CARRERAS APVD 06OCT2005 J. SANABRA		Tyco Electronics AMP España, S.A. Barcelona, Spain	
DIMENSIONS: mm		TOLERANCES UNLESS OTHERWISE SPECIFIED: 0 PLC ±- 1 PLC ±0.1 2 PLC ±0.05 3 PLC ±- 4 PLC ±- ANGLES ±-		NAME ANGLED 25x50 UNLOADED SHUTTERED MODULE	
MATERIAL -		FINISH -		PRODUCT SPEC - APPLICATION SPEC 114-93012 WEIGHT -	
CUSTOMER DRAWING		SCALE 1:1		SHEET 1 OF 1 REV D	