

Medium Flat Screen Wall Mount with Tilt and Swivel



BTV501

Registered Design Number: 001713280-0022



BTV501

Medium Flat Screen Wall Mount with Tilt and Swivel

**Designed for screens up to 42" (107cm)
/ 40kg (88lbs)**

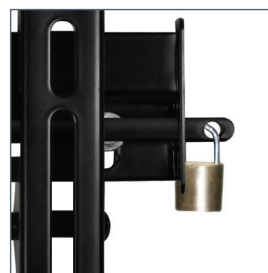
- Fits screens with mounting patterns up to:
H: 225mm (8.6") x V: 200mm (7.9") including
VESA® patterns up to 200 x 200mm
- 5 fixed tilt positions up to +15°
- Mounts screen only 44mm (1.73") from wall
- Includes locking bar for secure installation
- Suitable for concrete, brick or stud walls up to 10"
- Post-installation screen alignment
- Simple hook-on installation with all mounting
hardware included
- Available in Black



Mounts screen only 44mm (1.73")
from wall



5 fixed tilt positions up to +15°



Locking bar for secure installation*



Easy to install in any home

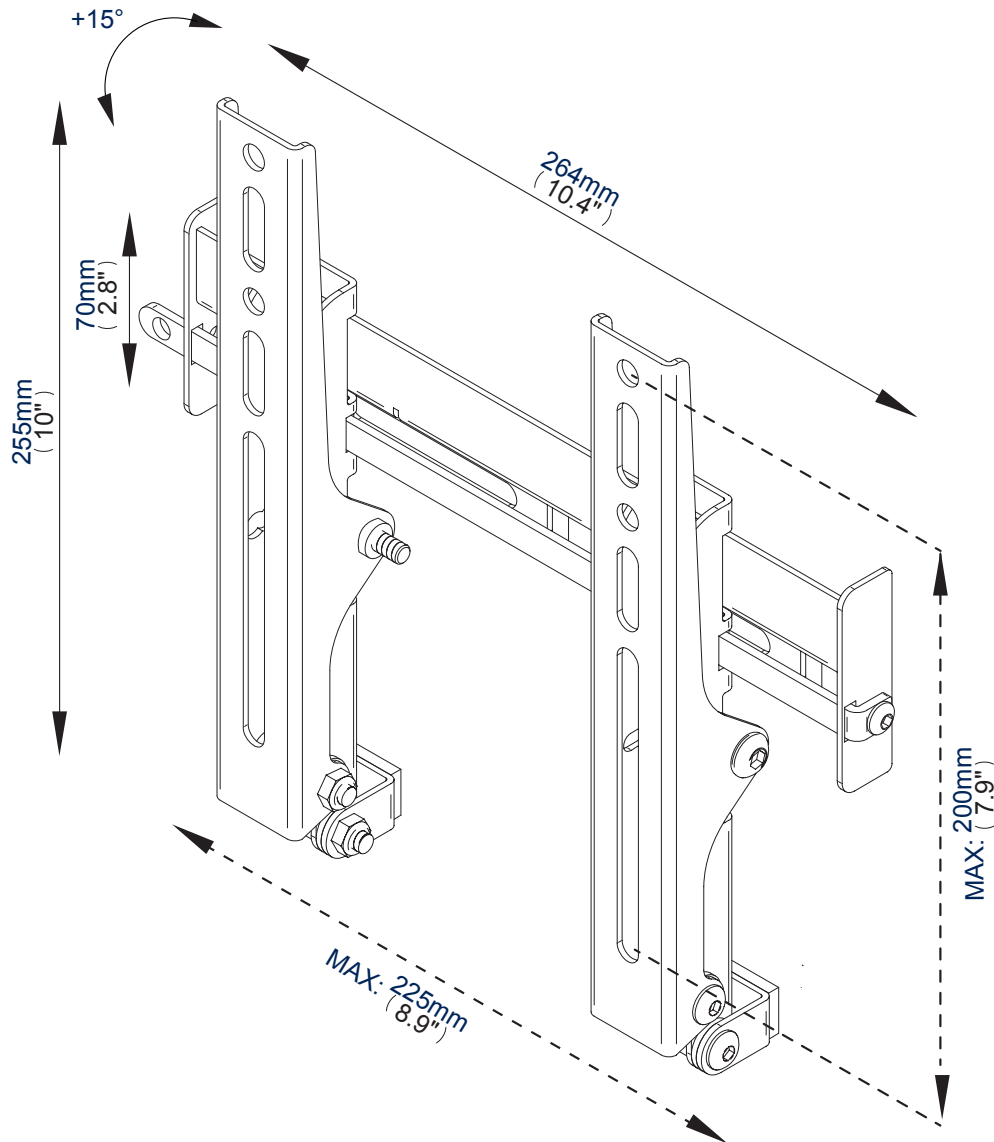
*Padlock not included

Medium Flat Screen Wall Mount with Tilt and Swivel



BTV501

Registered Design Number: 001713280-0022



Colour:	Order Ref:	EAN Code:	Master Carton Qty:	Inner Carton Qty:	Master Carton Weight:	Master Carton Cube:
Black	BTV501/B	5019318440076	6	N/A	11.51 kg (25.38lbs)	0.021cbm (0.771 cuft)

**This information is intended as a guide only and reflects the current specification at the time of print.
B-Tech accepts no liability for the accuracy of the information contained in this document.**