



CAT 5E KEYSTONE JACK 180° PUNCHDOWN



Technical information

Features:

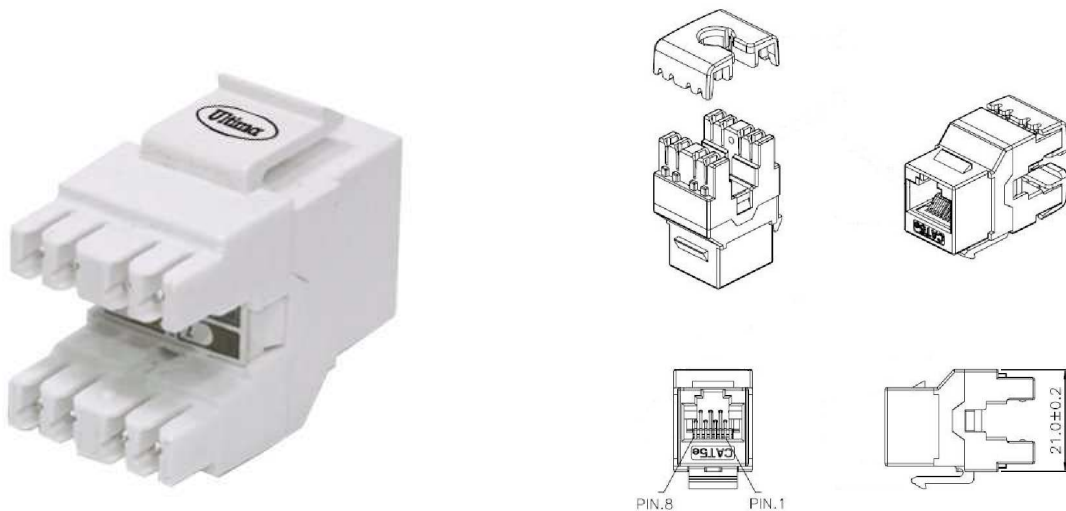
- ◆ RJ45 8P8C jack
- ◆ Cat 5e compliant performance
- ◆ 568A & B wiring options
- ◆ 110 Punchdown
- ◆ For use in Ultima keystone panels, shutters and faceplates
- ◆ 25 year Ultima System Warranty

Materials

Jack Housing	ABS+PC, UL94V-0
RJ45 Jack Contact	Phosphor bronze, nickel plated, finished with 50µ gold plating on plug contact area
IDC Housing	PC+Glass Fibre, UL 94V-2
IDC Contact	Phosphor bronze, tin plated
Wire Retention Cap	ABS, UL94V-0

Performance

Insertion Force	20N max.
Retention Strength	7.7kg between Jack and Plug
Operating Temperature	-10°C to 60°C
Mating Cycles	750 cycles min.
IDC Wire Range	22-26 AWG solid wire. Compatible with 110 punchdown tool



Part Number

Item	Description	Type	Termination	Colour
781934	Keystone Jack Cat 5e	Unshielded	180° Punchdown	White