

INSTRUCTIONS FOR ASSEMBLY AND USE OF PUMP LUBRICANT 2A

NOTE: It is important that these instructions are followed correctly in order to avoid any breakage. Any damage to components must be reported to the storekeeper promptly.

1. Unpack the pump and inspect for damage.
2. Unpack the riser tube (inlet tube) and adhesive and inspect for damage.
3. Apply a small amount of adhesive to the pump inlet and fit the riser tube (inlet tube) over the inlet with a gentle twisting motion.
4. Leave these components to set for a minimum of 10 minutes.
5. Cut a small breather hole in the top cover of the lubricant container. Carefully insert the riser tube (inlet tube) into lubricant container such that the pump assembly finally rests flat on the lubricant container as shown in Figure 1. Screw the three knobs to secure the pump assembly to the lubricant container rim. Do not overtighten the knobs.
6. The outlet hose of the pump is sized to fit over the lubricating tee for sub-duct work. For general cabling work, the hose can be inserted into the end of the cabling guide or the duct mouth. A plug is supplied which fits over the end of the hose to minimise lubricant spillages.
7. Operate the pump handle to apply the lubricant. You will need to operate the handle four or five times before the lubricant is primed into the pump.

PUMP LUBRICANT 2A

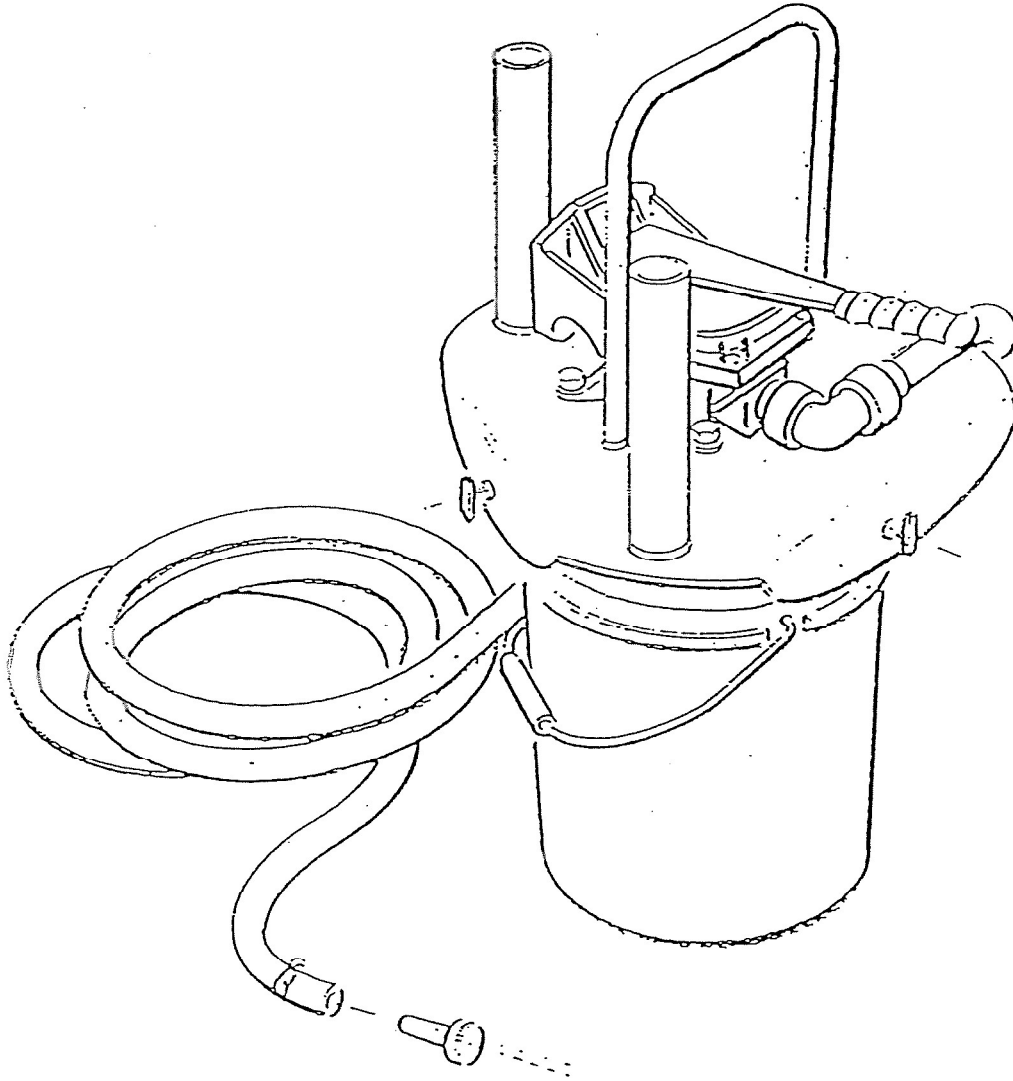
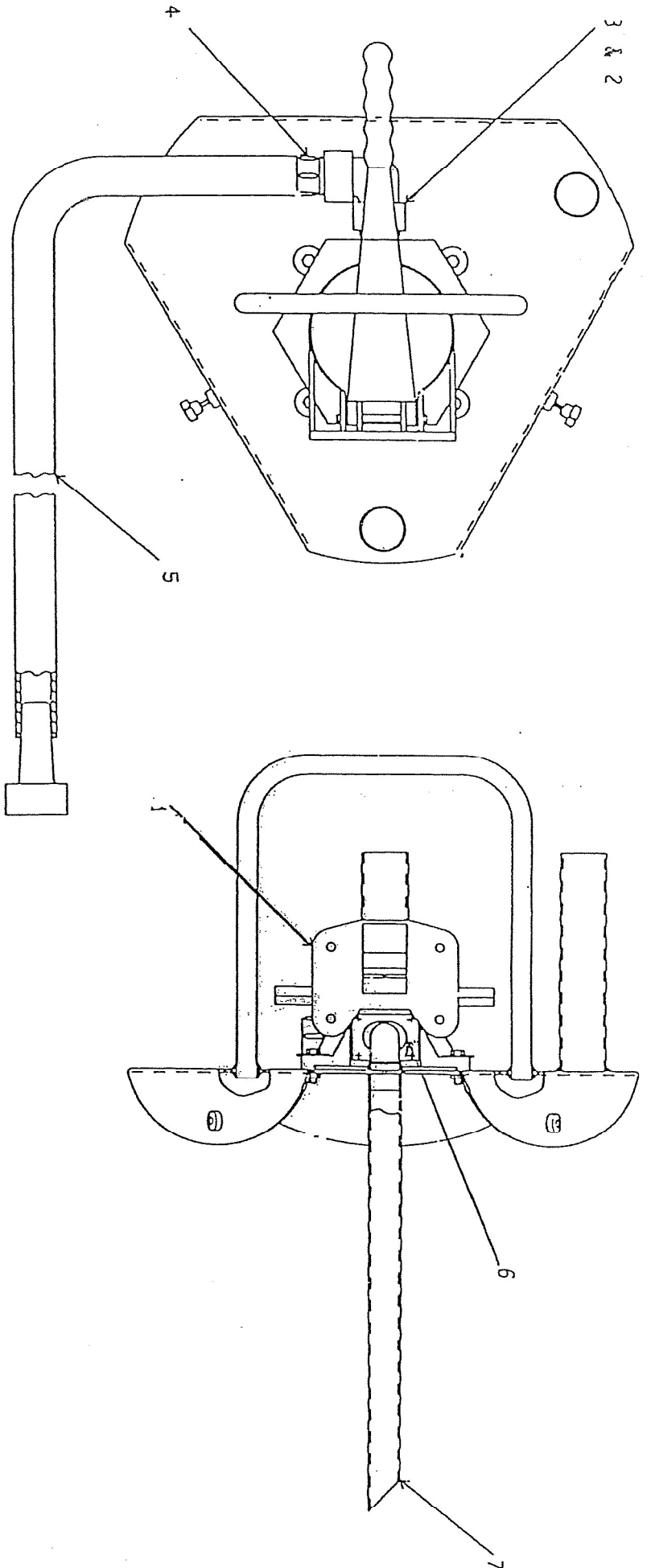


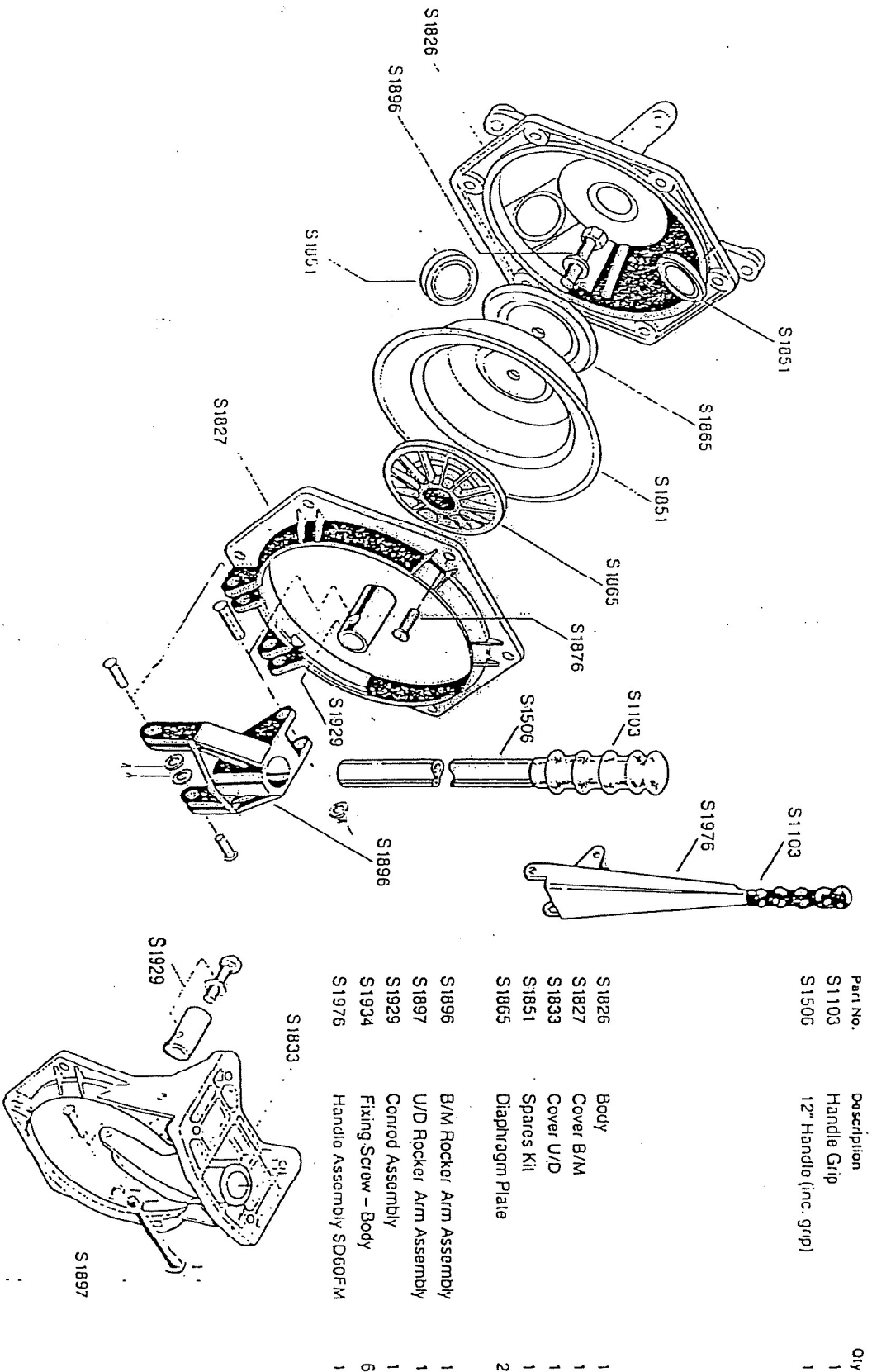
FIGURE 1



ITEM	SCHEDULE	DESCRIPTION	No OFF
1		PUMP TYPE SD60FM PART No. A2054	1
2		OUTLET 1 INCH BSP, PART No. S1919 PATAY PUMPS LTD	1
3		ELBOW 1 INCH BSP, PART No. K2252 PATAY PUMPS LTD	1
4		HOSE TAIL 1 INCH, PART No. K2232 PATAY PUMPS LTD	1
5		HOSE TAIL 1 INCH BORE X 5 METRES LONG CLEAR PVC	1
6		1 INCH INLET, PART No. S1822 PATAY PUMPS LTD	1
7		RISER TUBE, PART No. B1222 PATAY PUMPS LTD	1

FIGURE 2

SD60



Part No.	Description	Qty
S1103	Handle Grip	1
S1506	12" Handle (inc. grip)	1
S1826	Body	1
S1827	Cover B/M	1
S1833	Cover U/D	1
S1851	Spares Kit	1
S1865	Diaphragm Plate	2
S1896	B/M Rocker Arm Assembly	1
S1897	U/D Rocker Arm Assembly	1
S1929	Control Assembly	1
S1934	Fixing Screw - Body	6
S1976	Handle Assembly SDC0FM	1

FIGURE 3